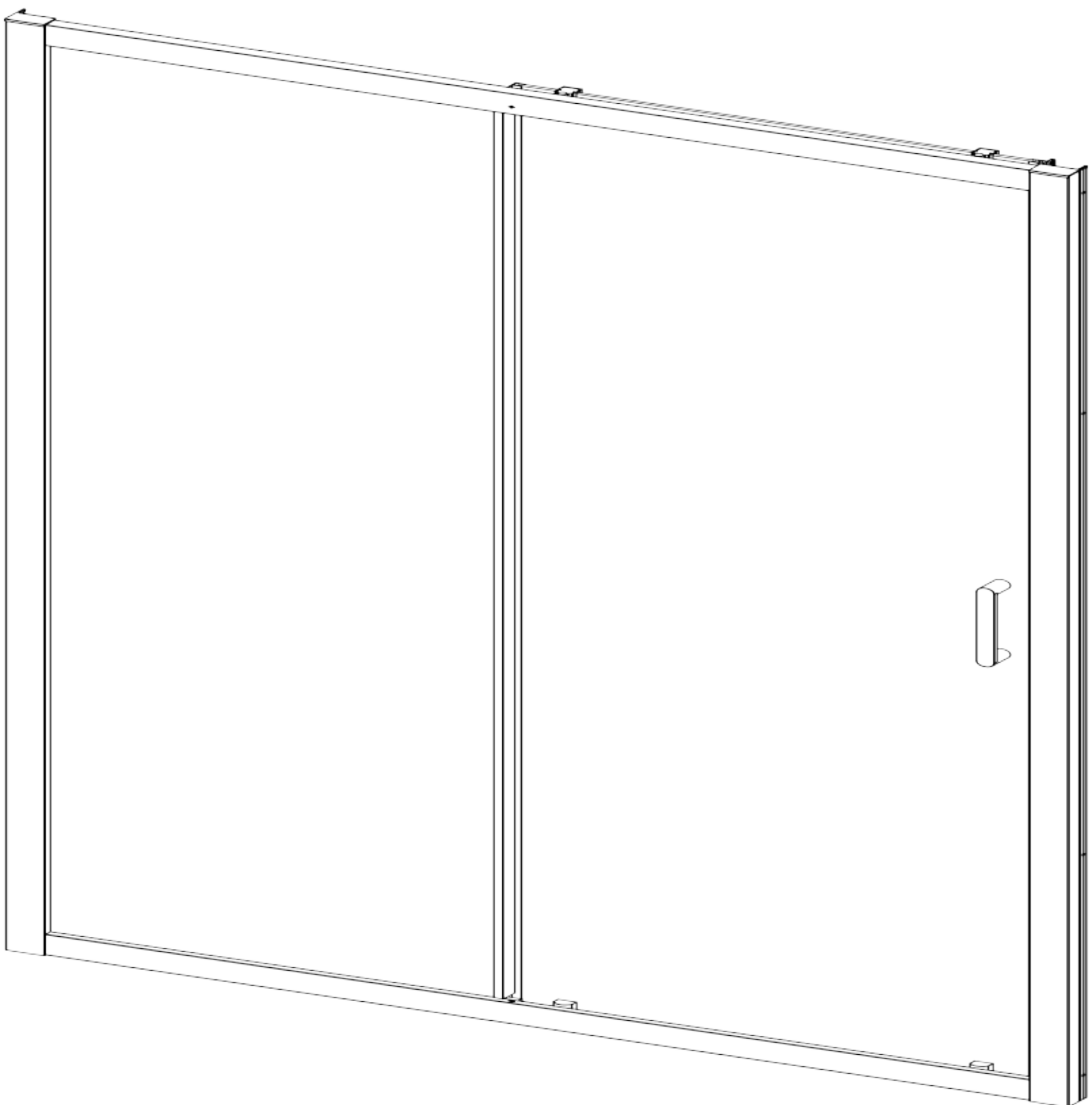
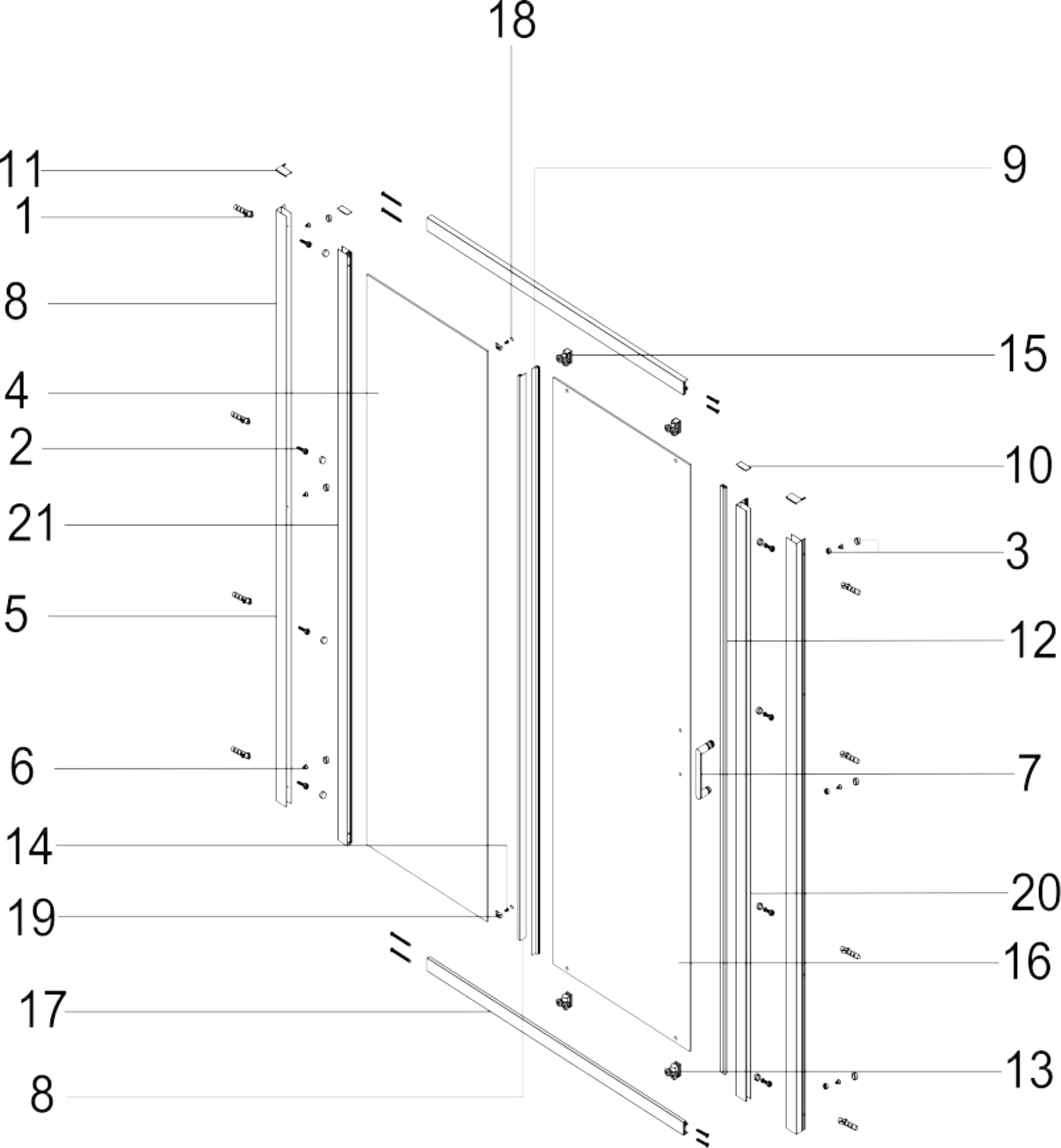
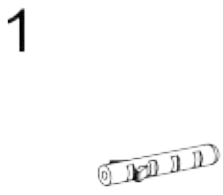
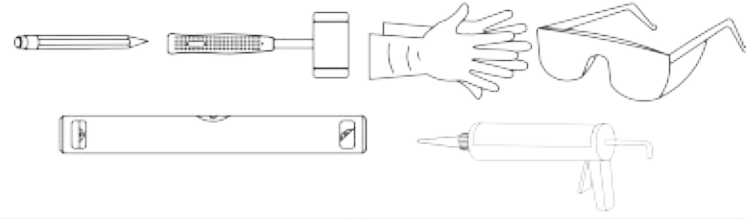
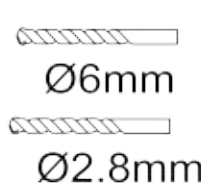
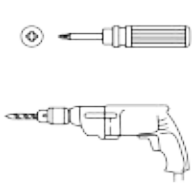


GRUPO  
**SGC**





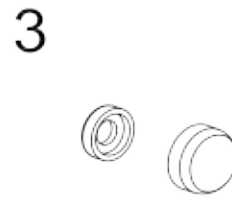


X8

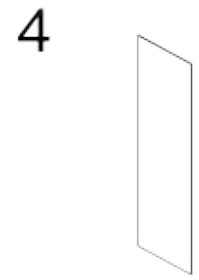


ST3.9X35

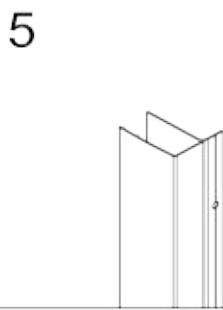
X16



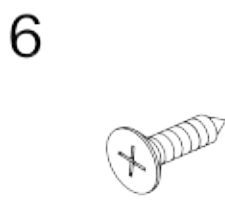
X14



X1

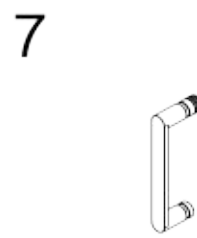


X2

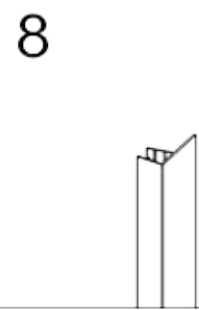


ST3.5X10

X6



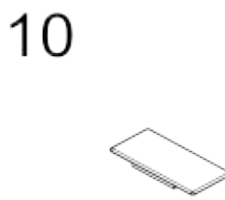
X1



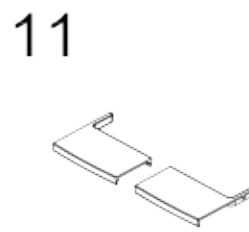
X1



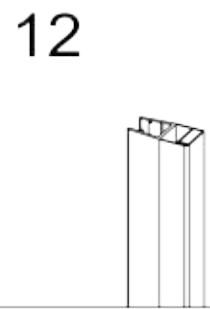
X1



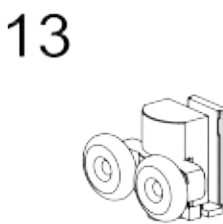
X2



X1



X1

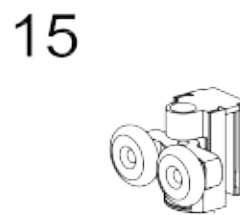


X2

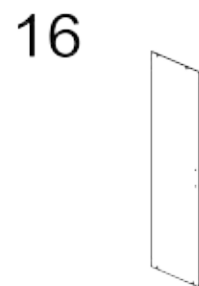


ST3.9X13

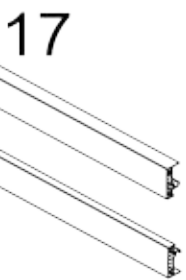
X2



X2



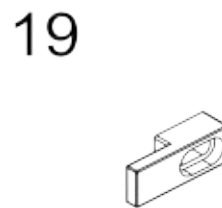
X1



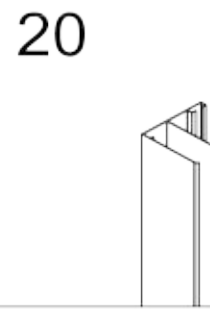
X1



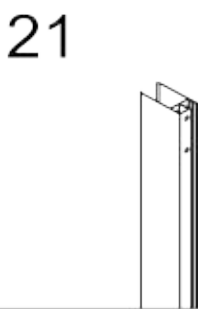
X2



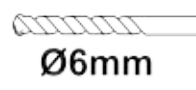
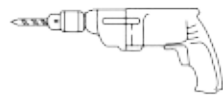
X2



X1



X1



Ø6mm

1

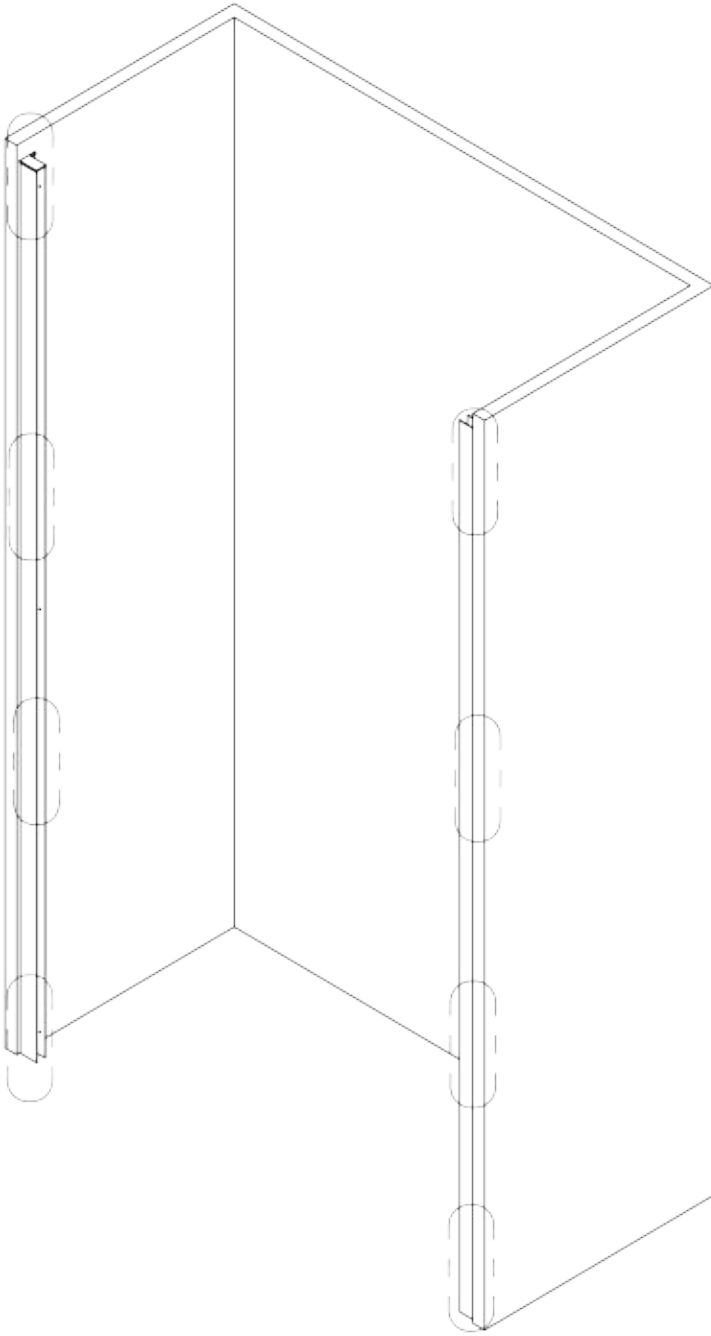
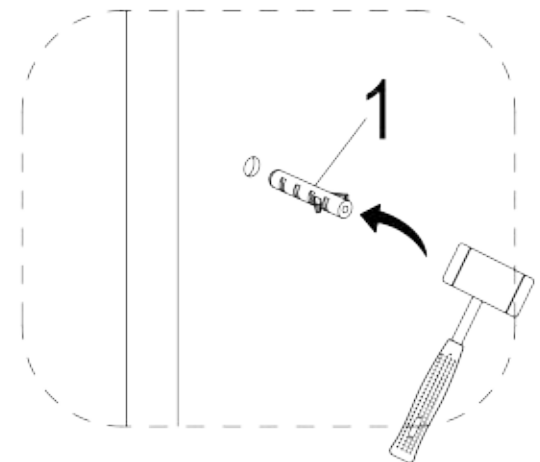
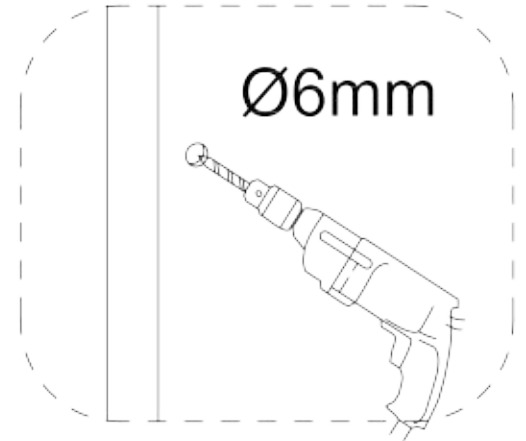
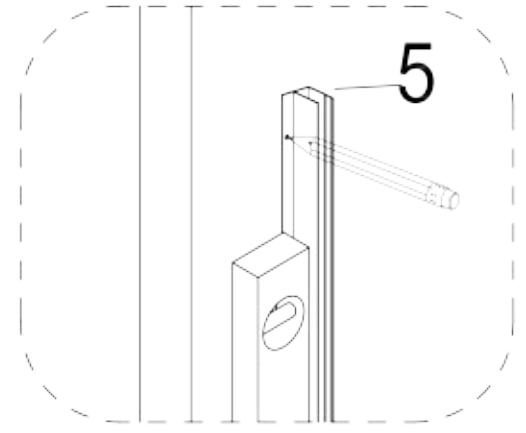


X8

5



X1



4



2



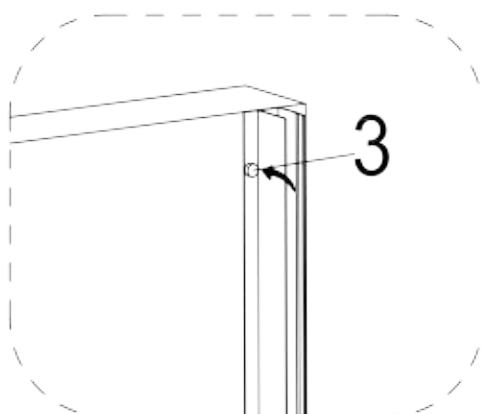
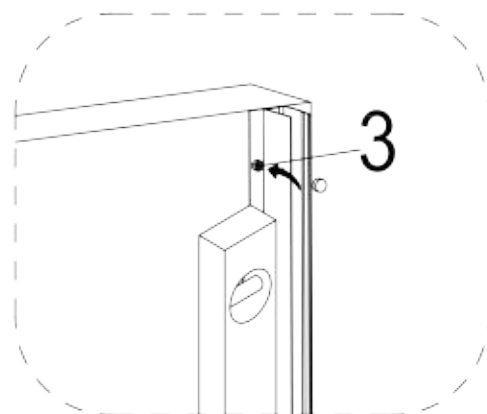
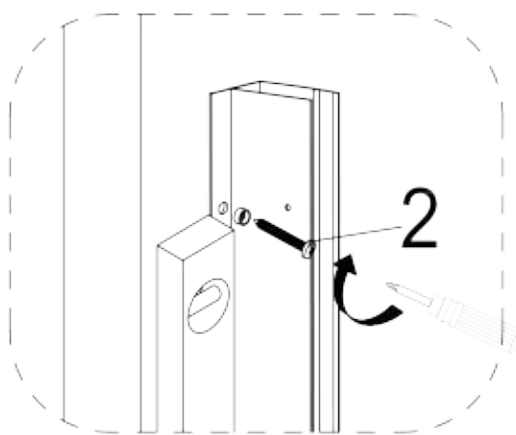
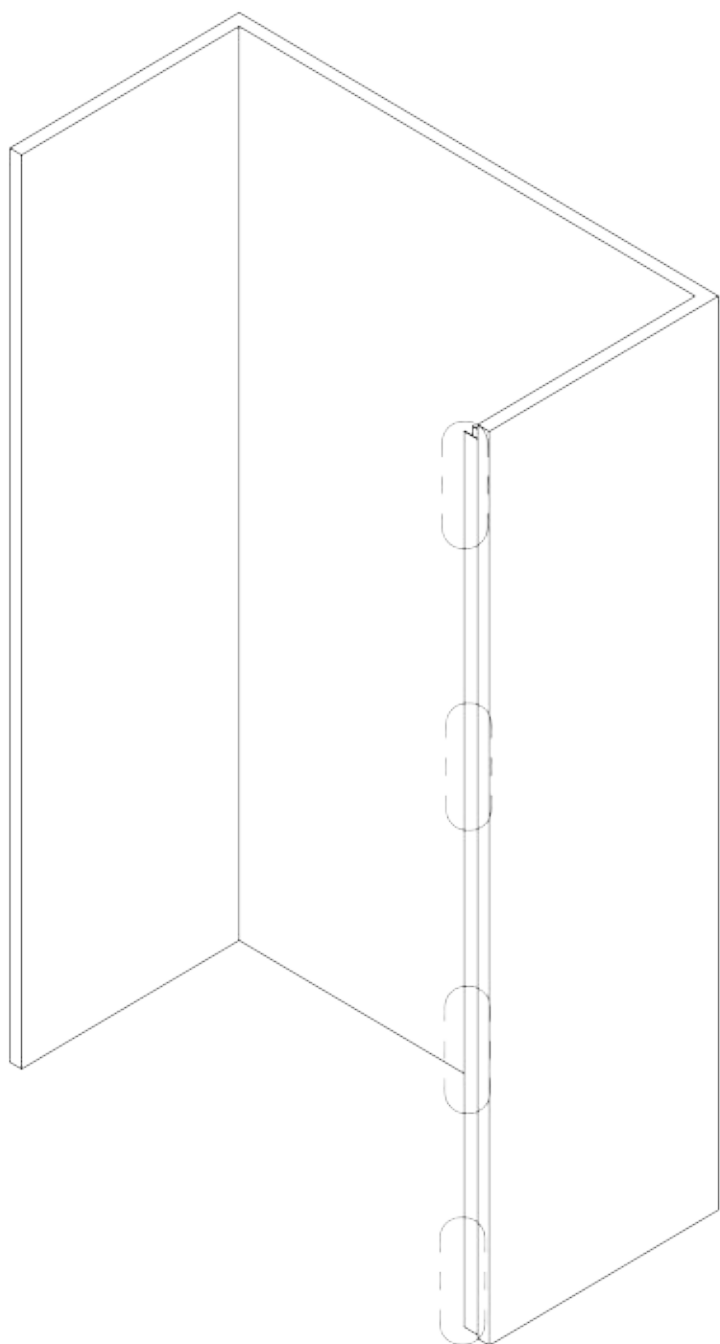
ST3.9X35

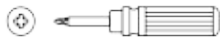
X4

3



X4





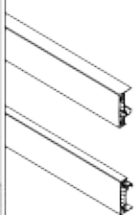
2



ST3.9X35

X8

17



X1

20



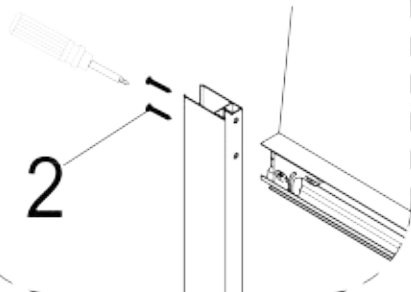
X1

21



X1

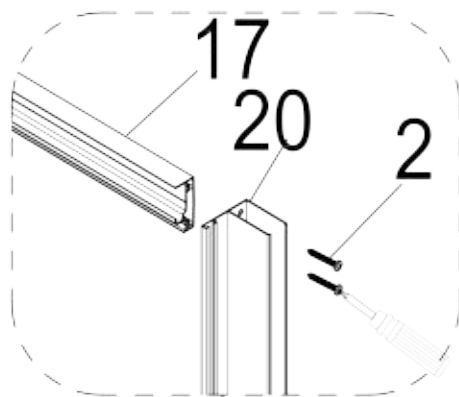
21 17



17

20

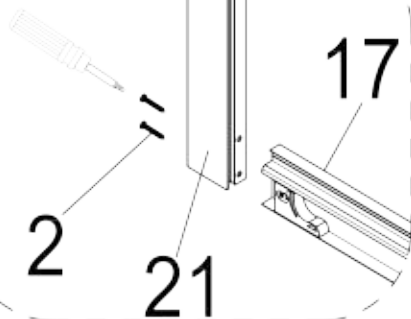
2



17

2

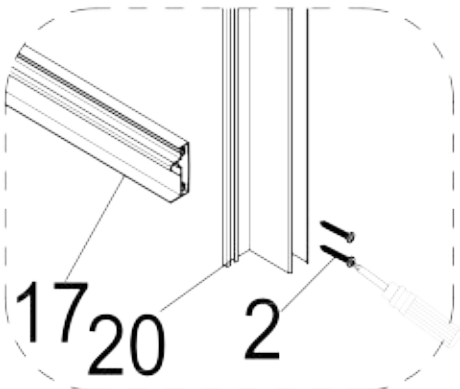
21



17

20

2

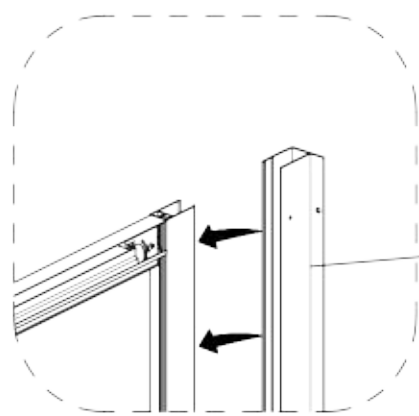
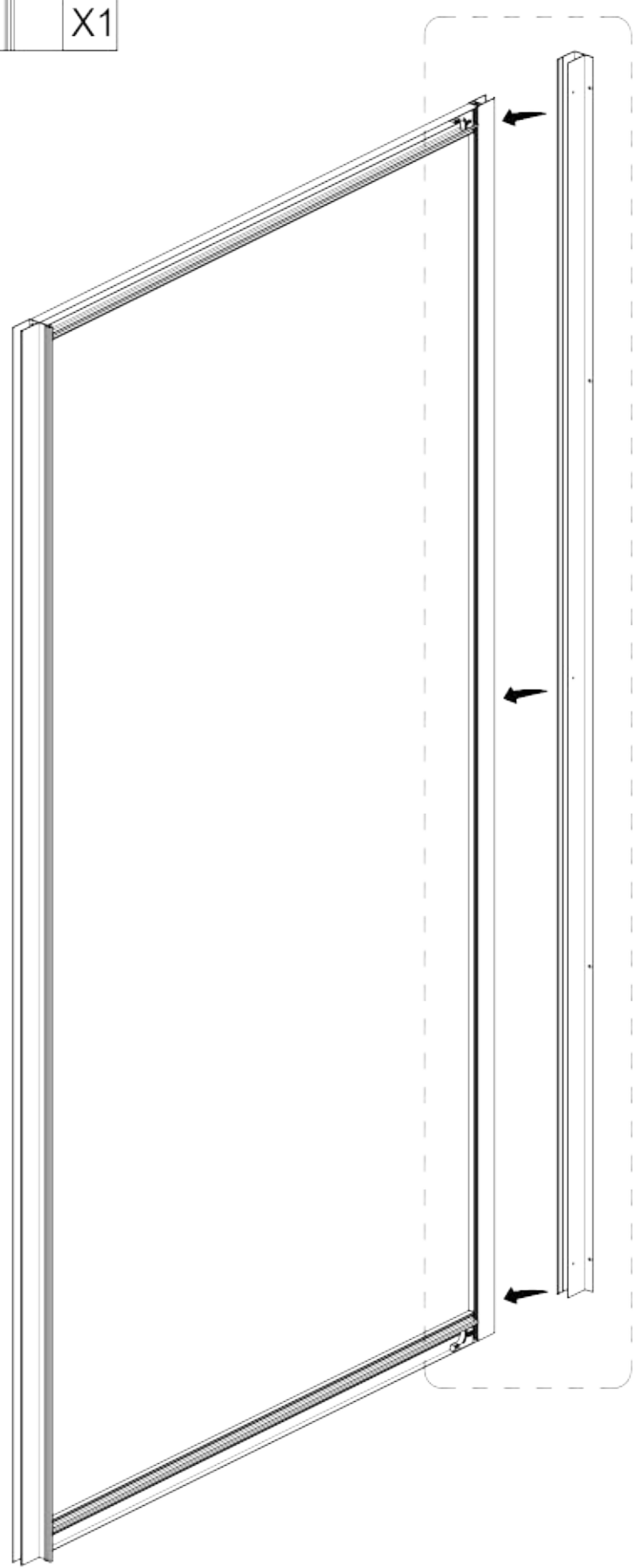


6

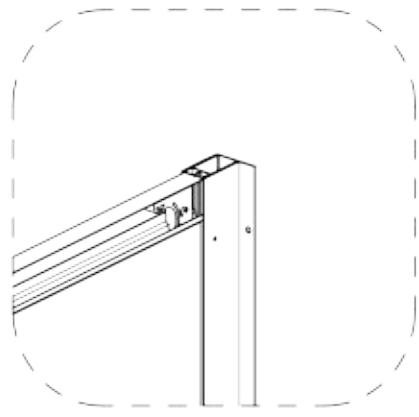
5



X1

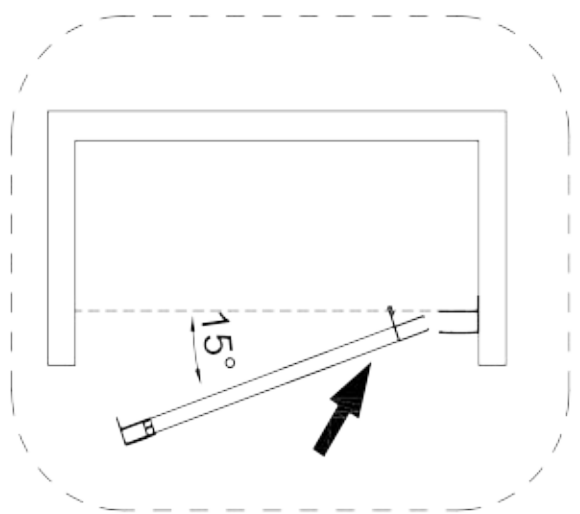
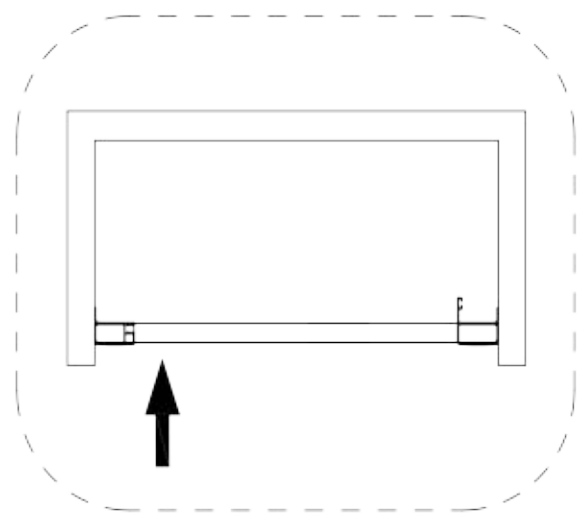
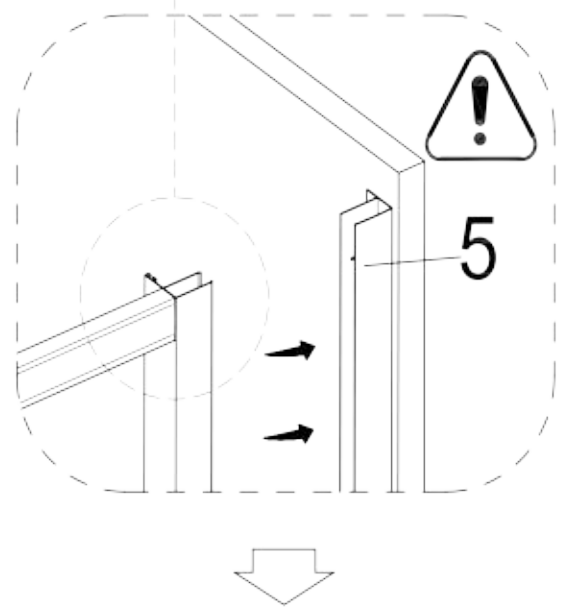
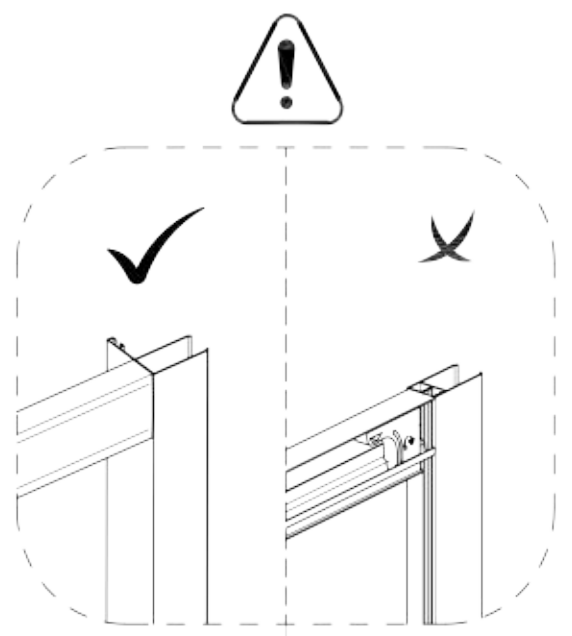
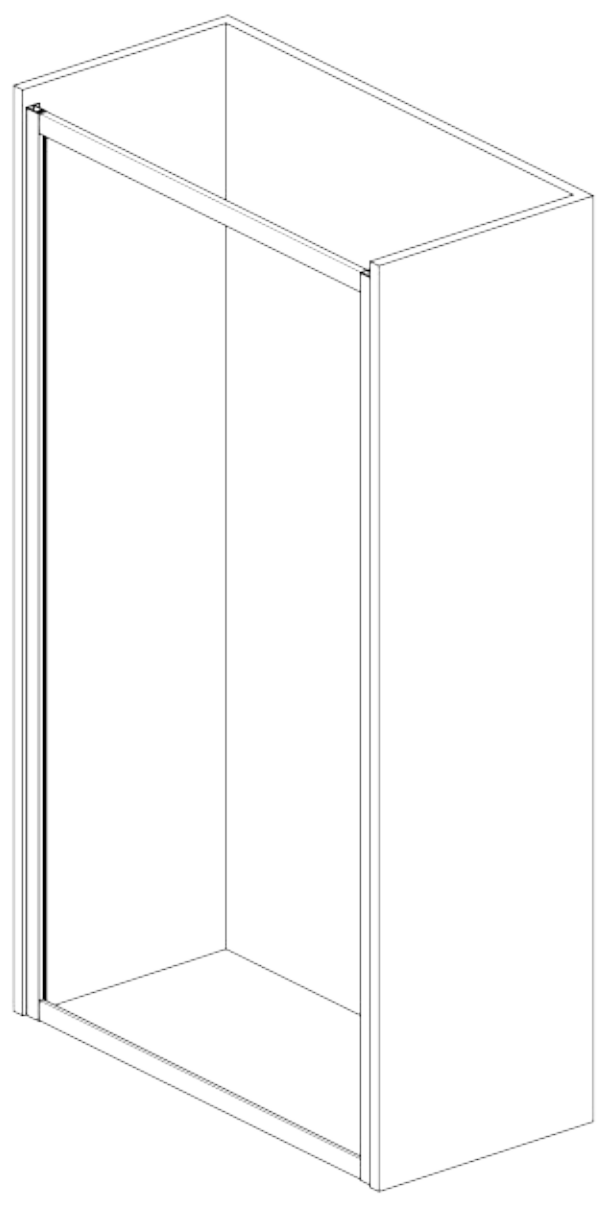
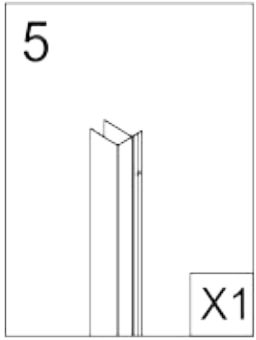


5

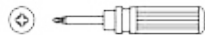


7

5







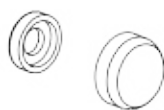
2



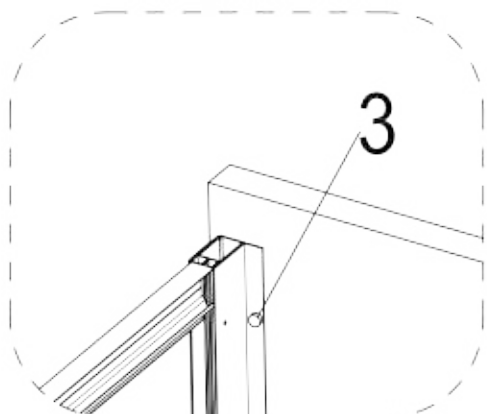
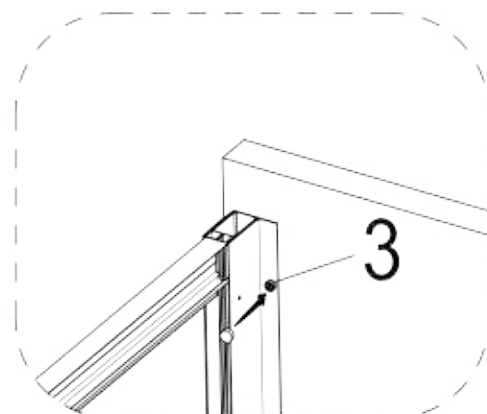
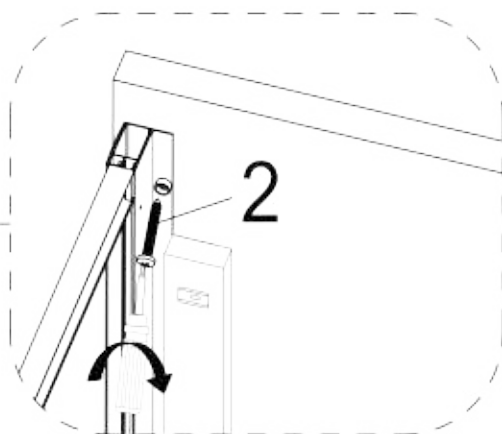
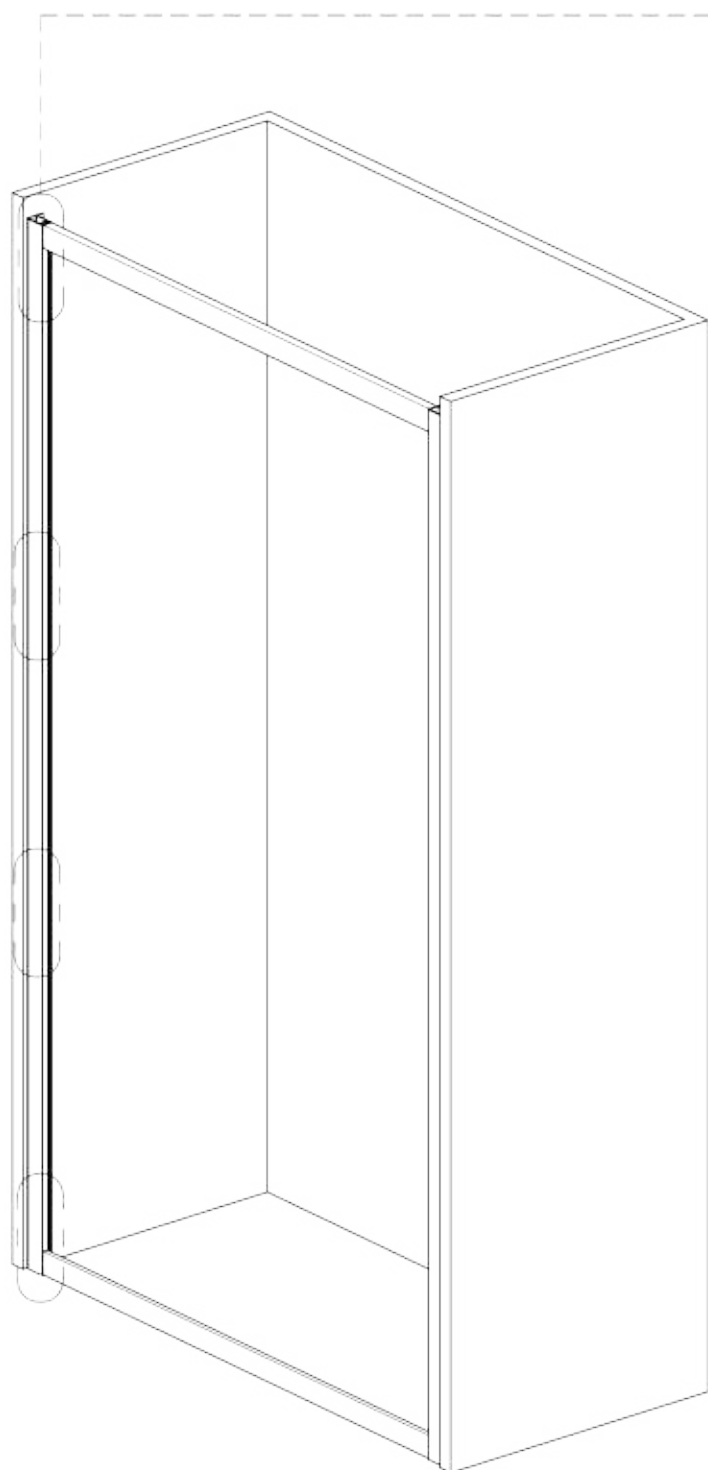
ST3.9X35

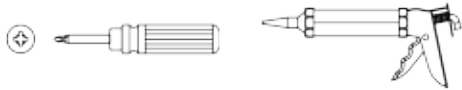
X4

3



X4





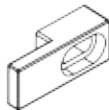
14



ST3.9X13

X2

19



X2

18

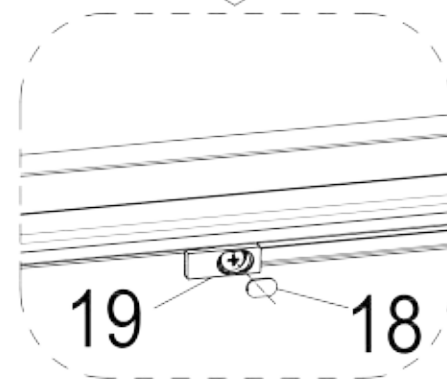
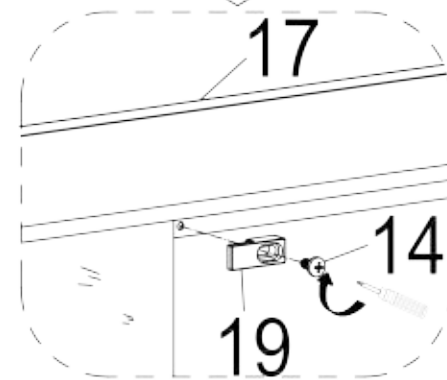
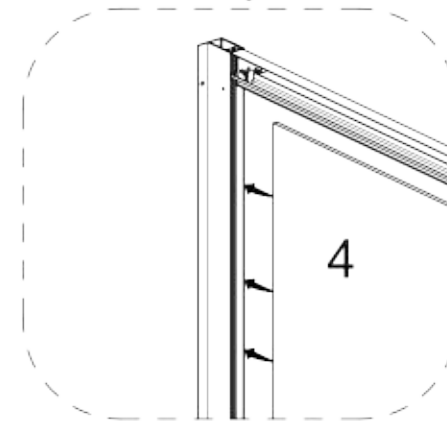
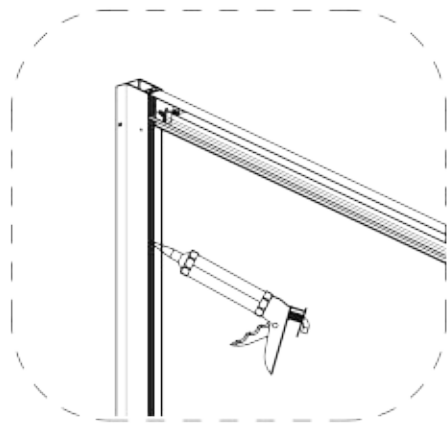
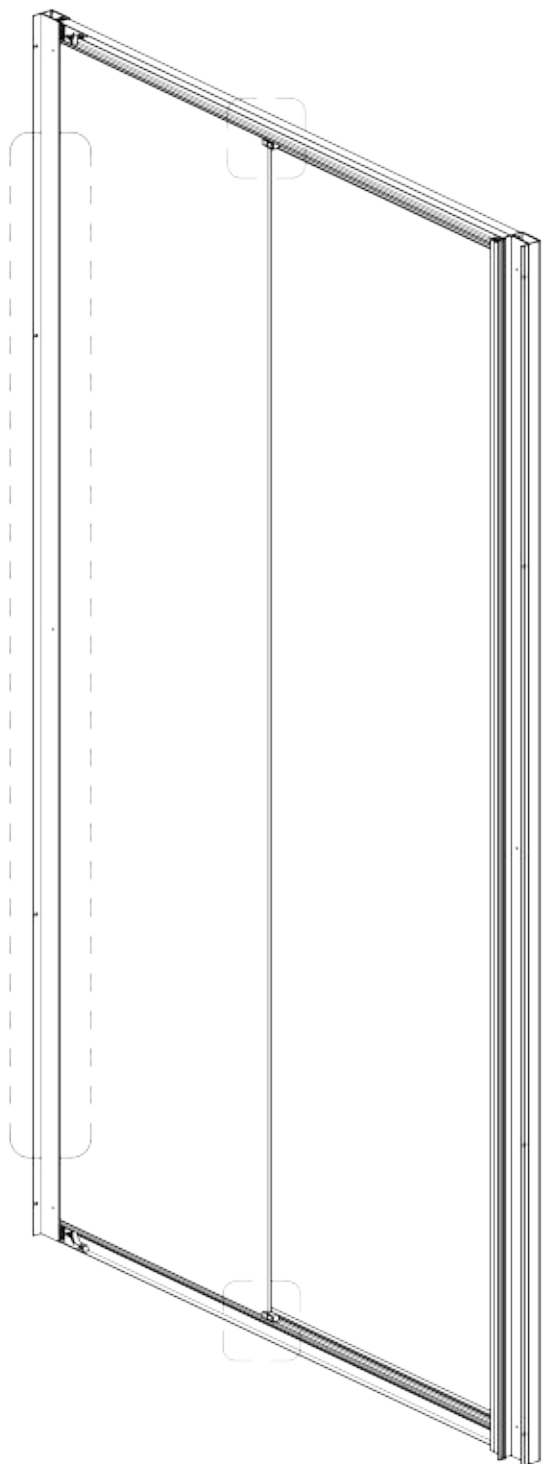


X2

4



X1





16



X1

15



X2

13

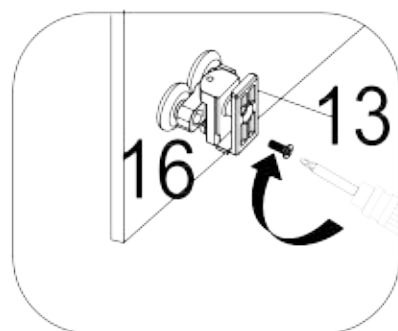
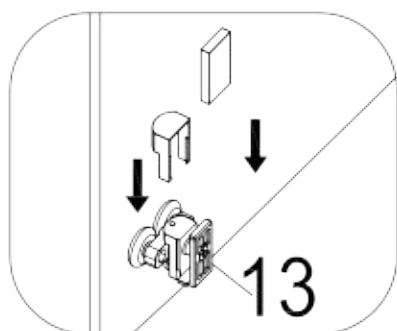
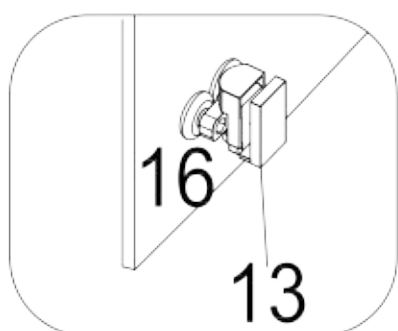
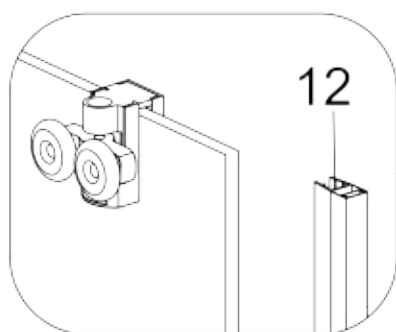
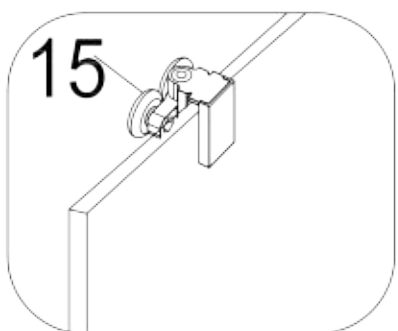
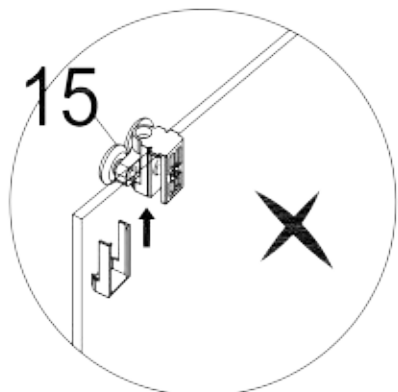
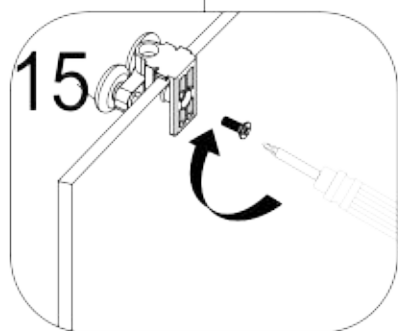
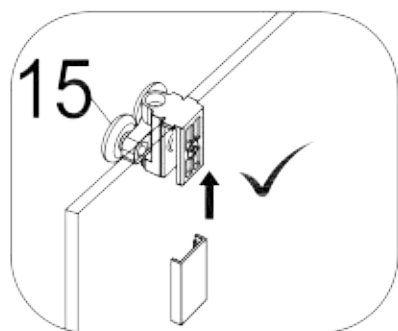


X2

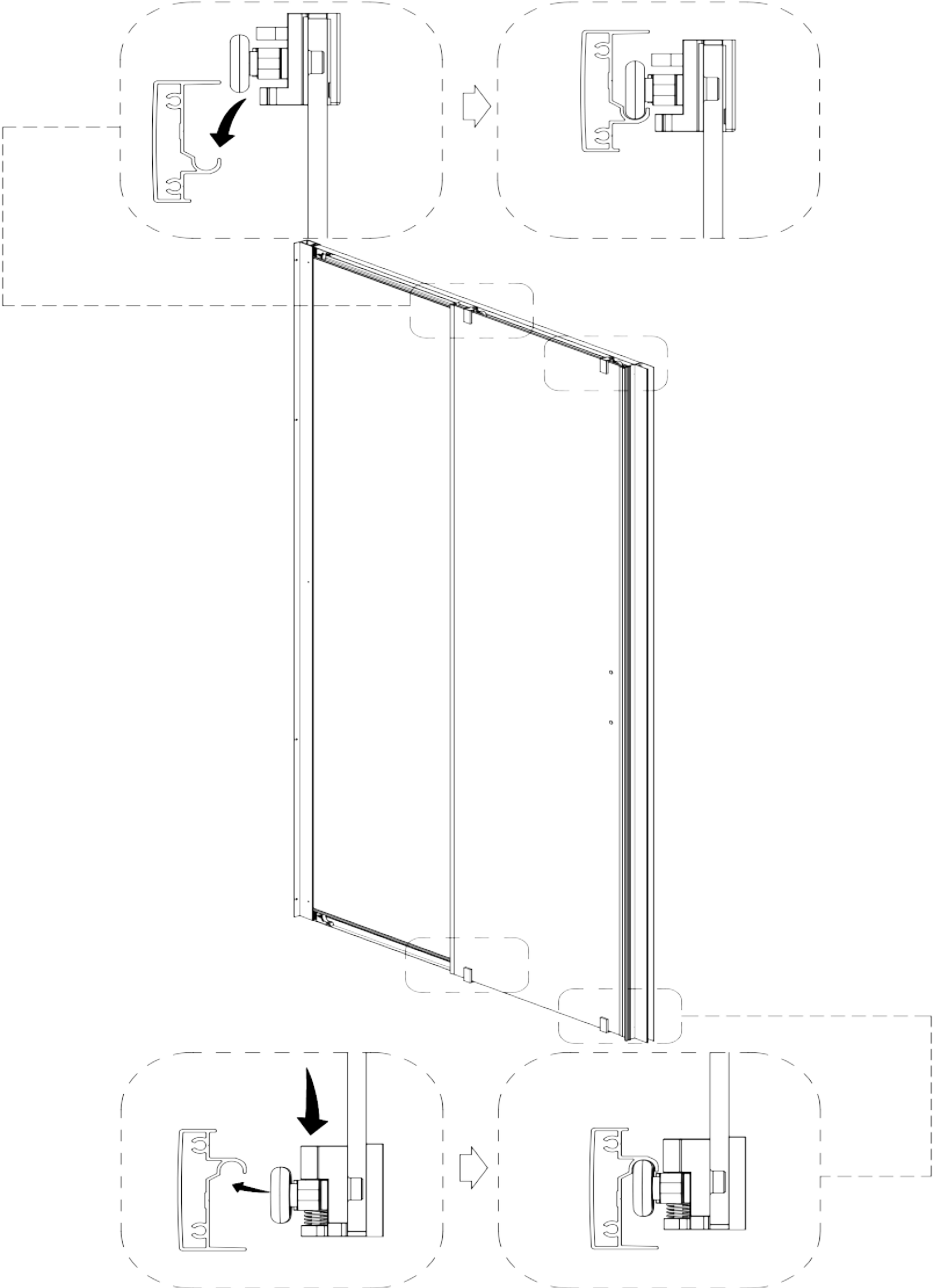
12



X1



11



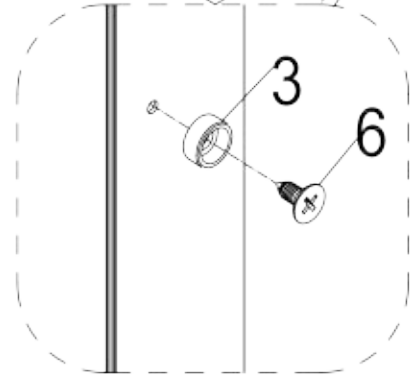
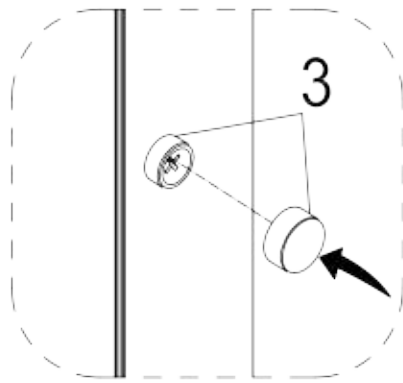
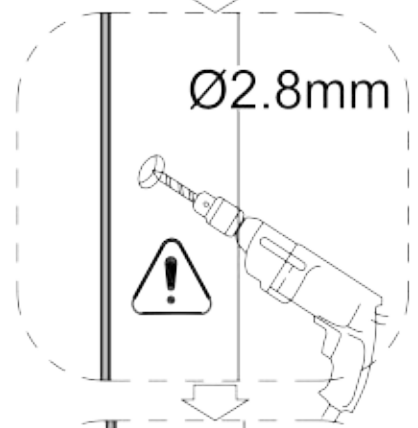
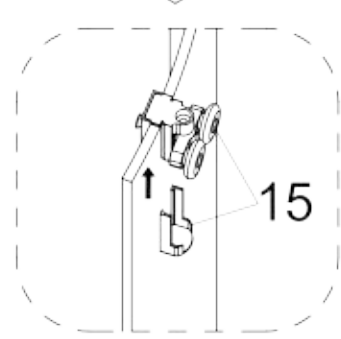
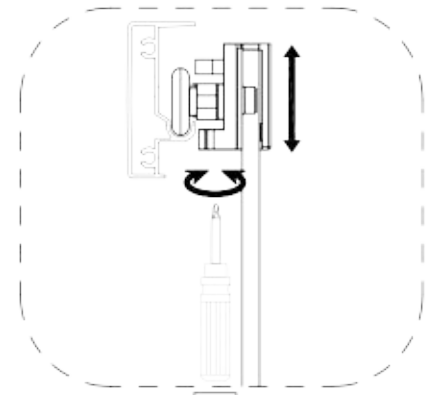
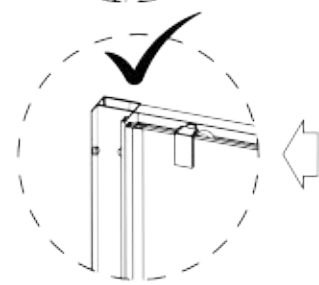
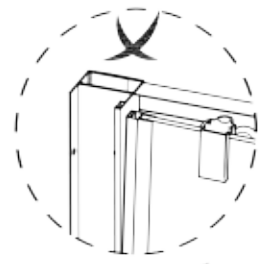
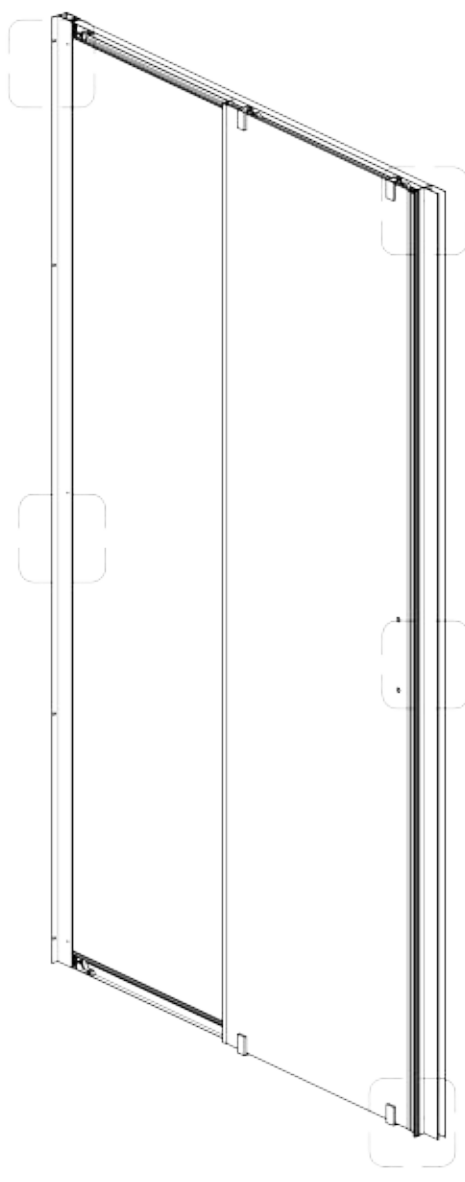
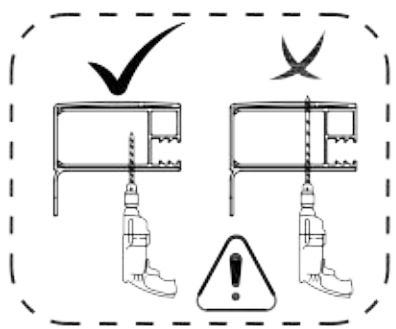


**6**

ST3.5X10 X6

**3**

X6



8

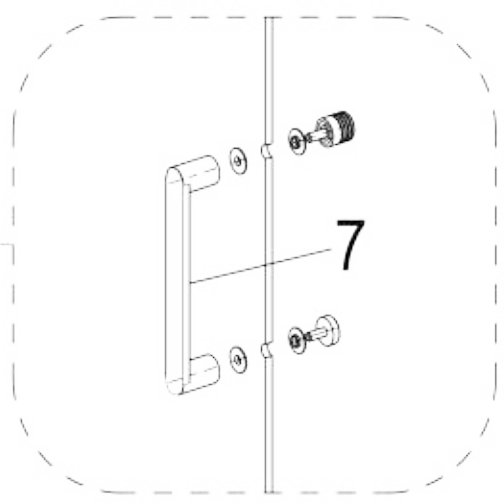
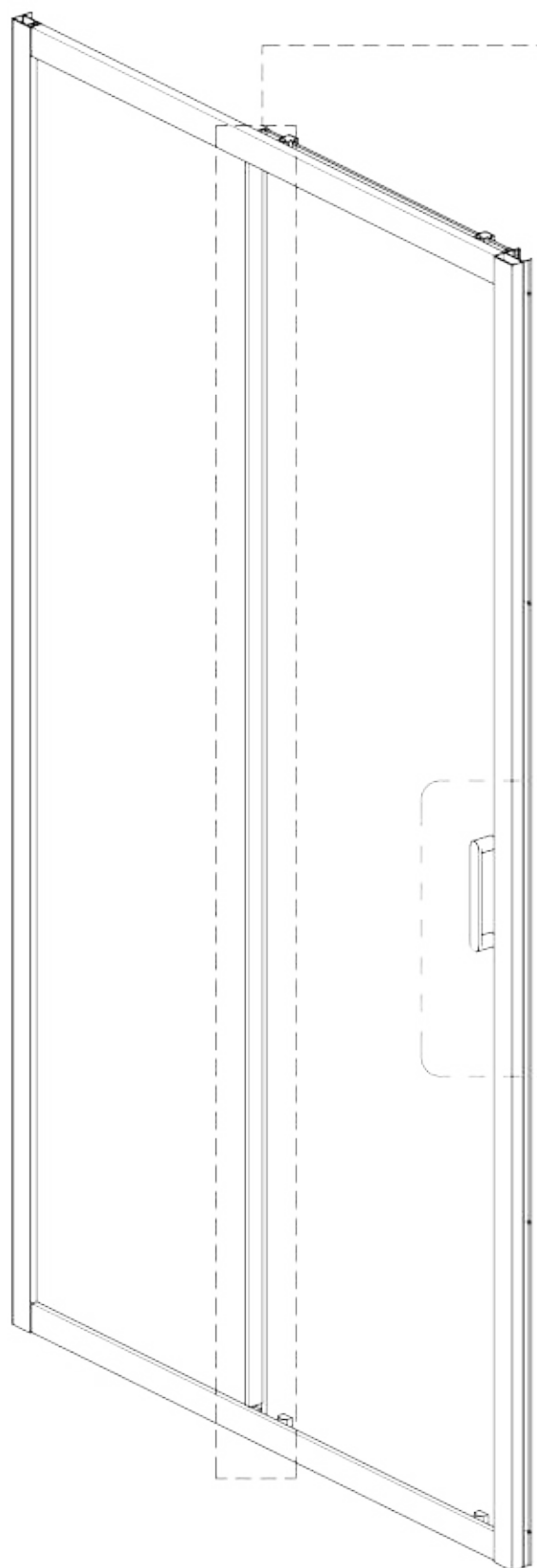
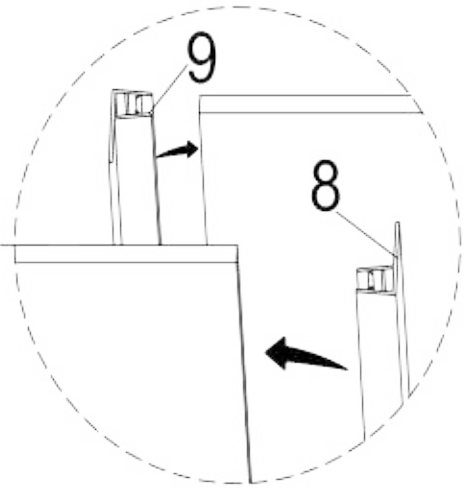
9

7

X1

X1

X1

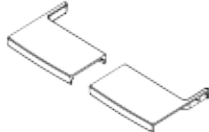


10



X2

11



X1

