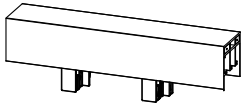
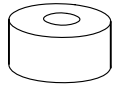


7



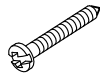
X1

18



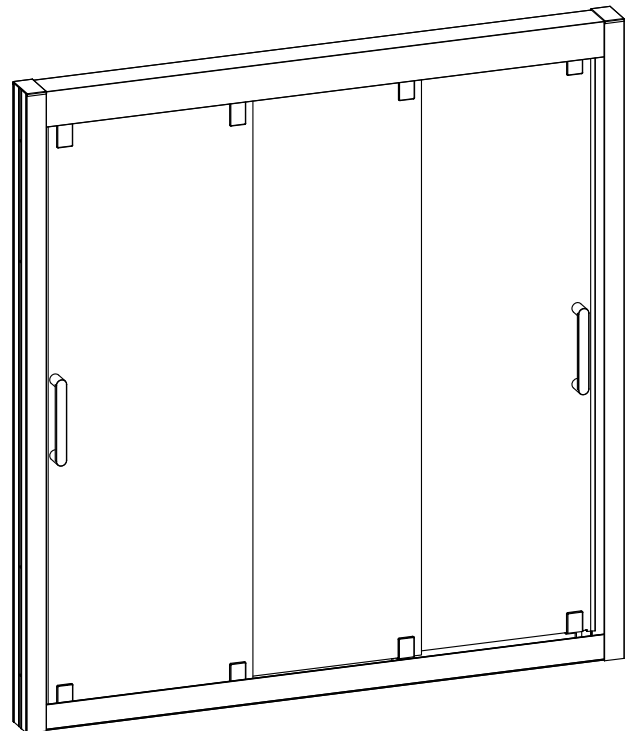
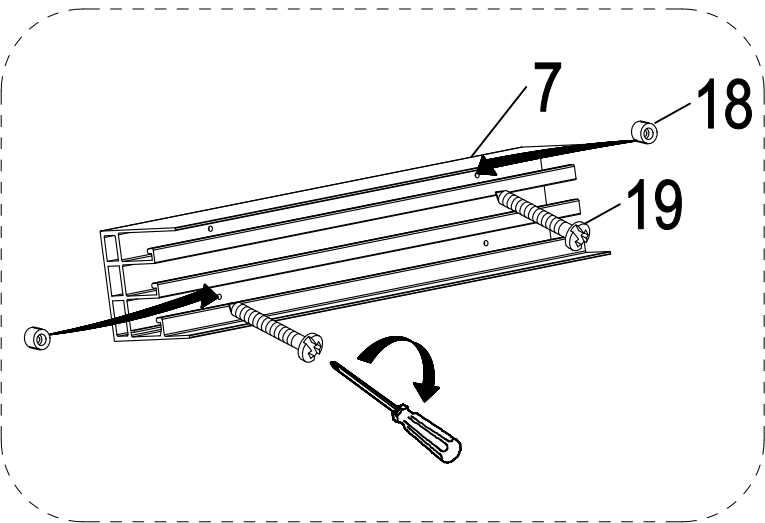
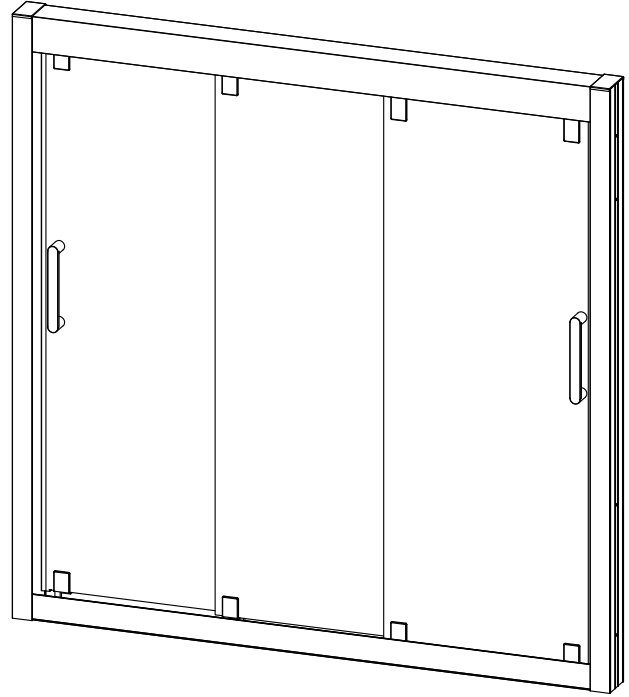
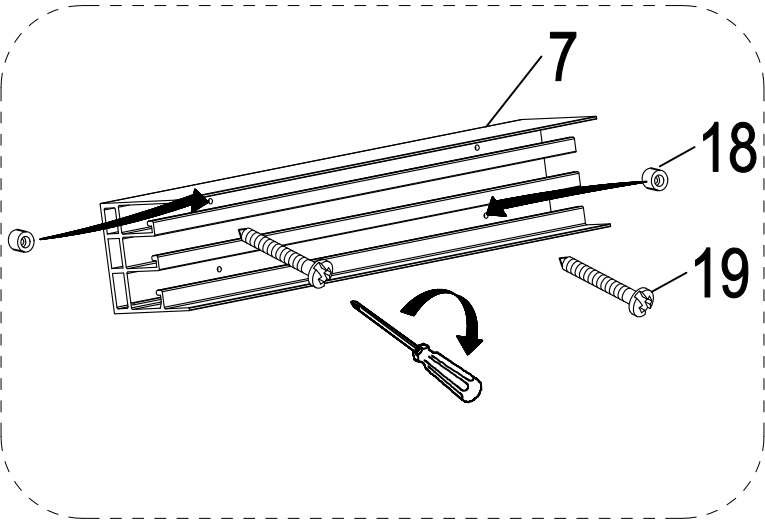
X2

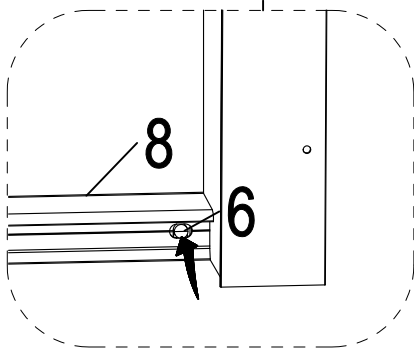
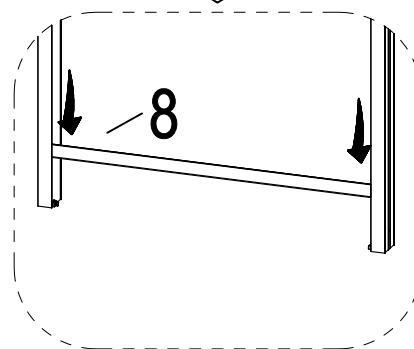
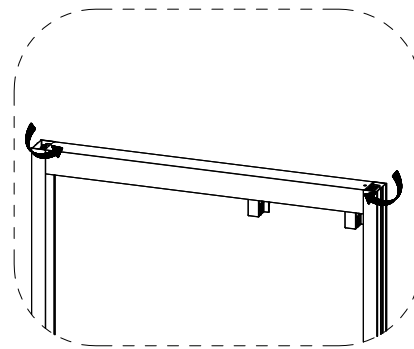
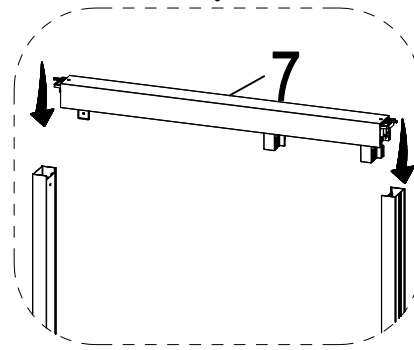
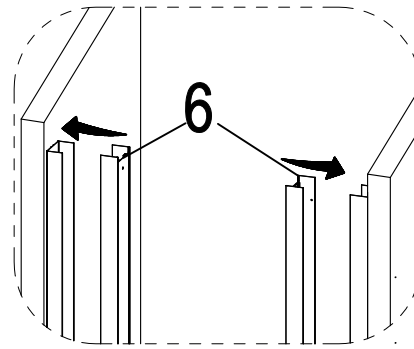
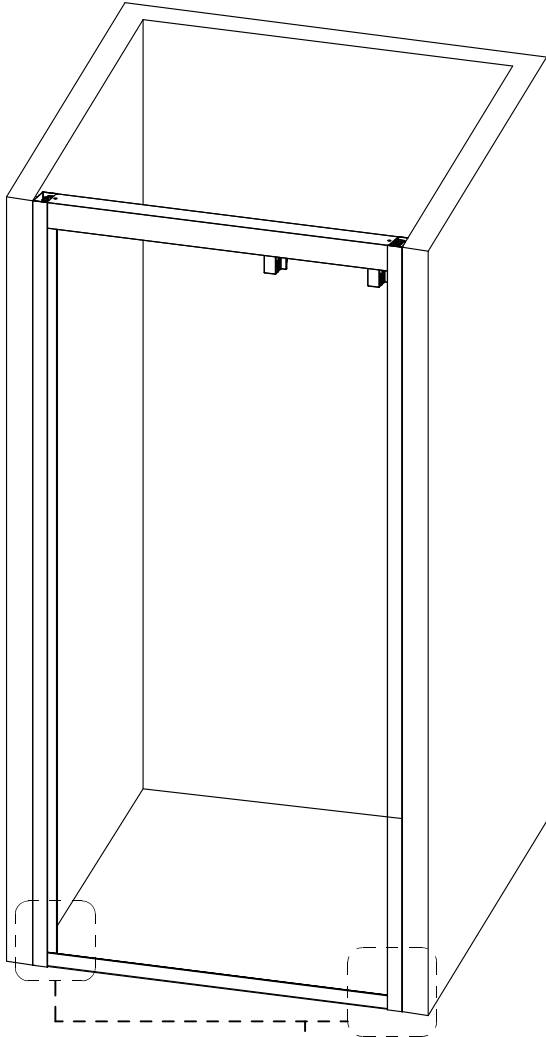
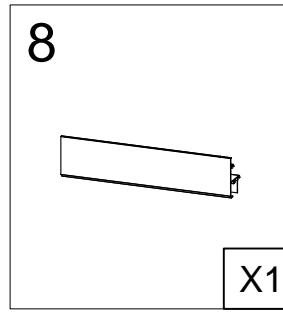
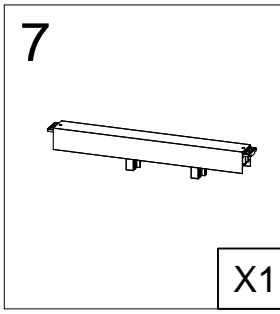
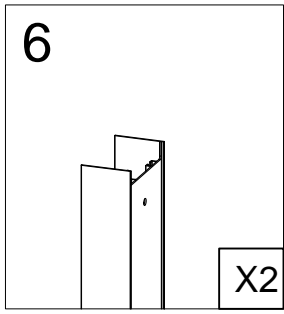
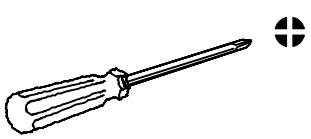
19

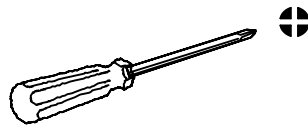
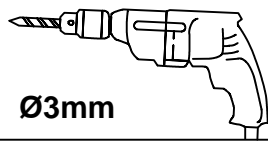
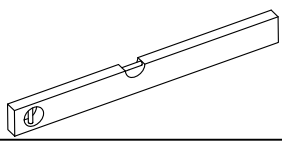


ST3.9X16

X2

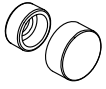






Ø3mm

4



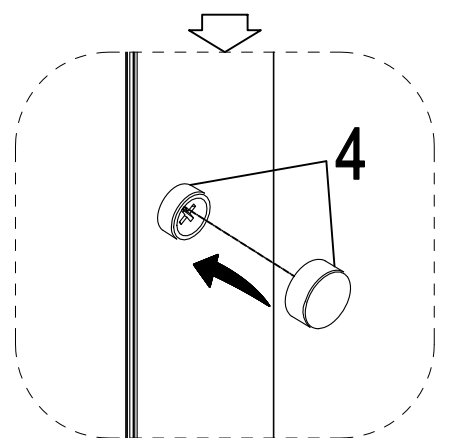
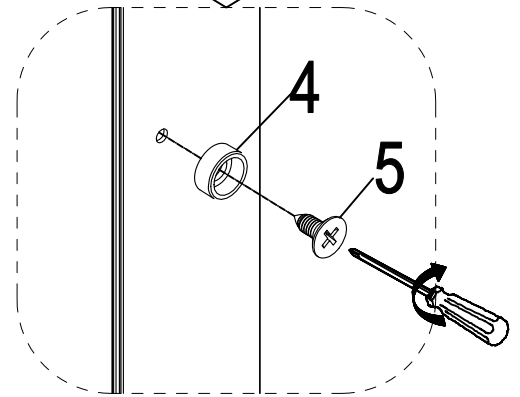
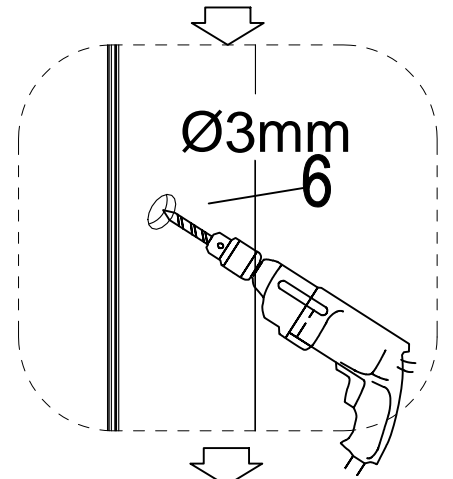
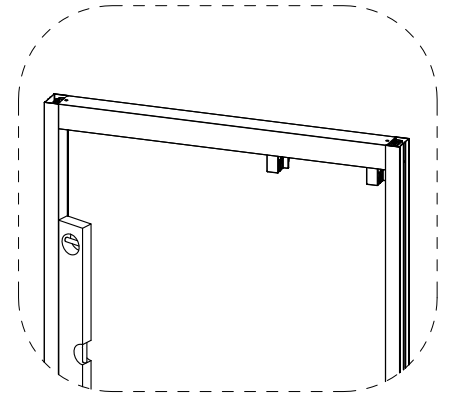
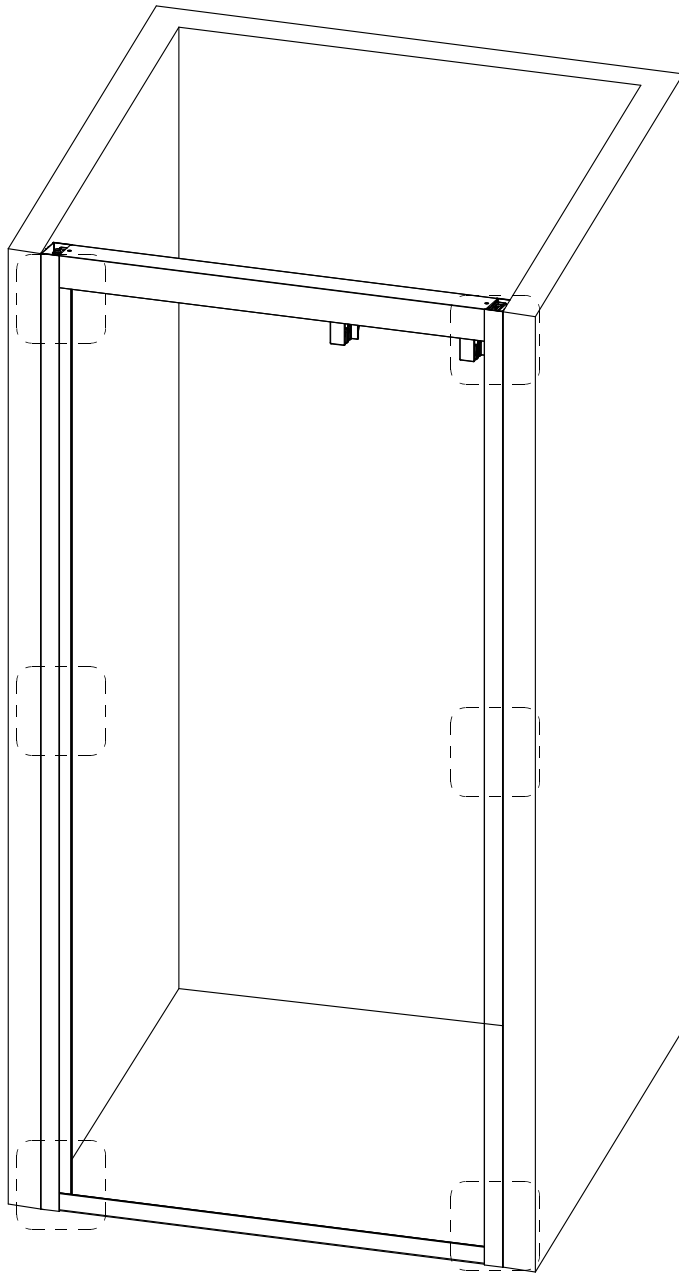
X3

5

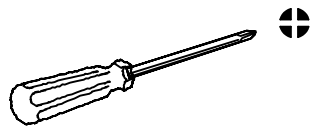


ST3.5X10

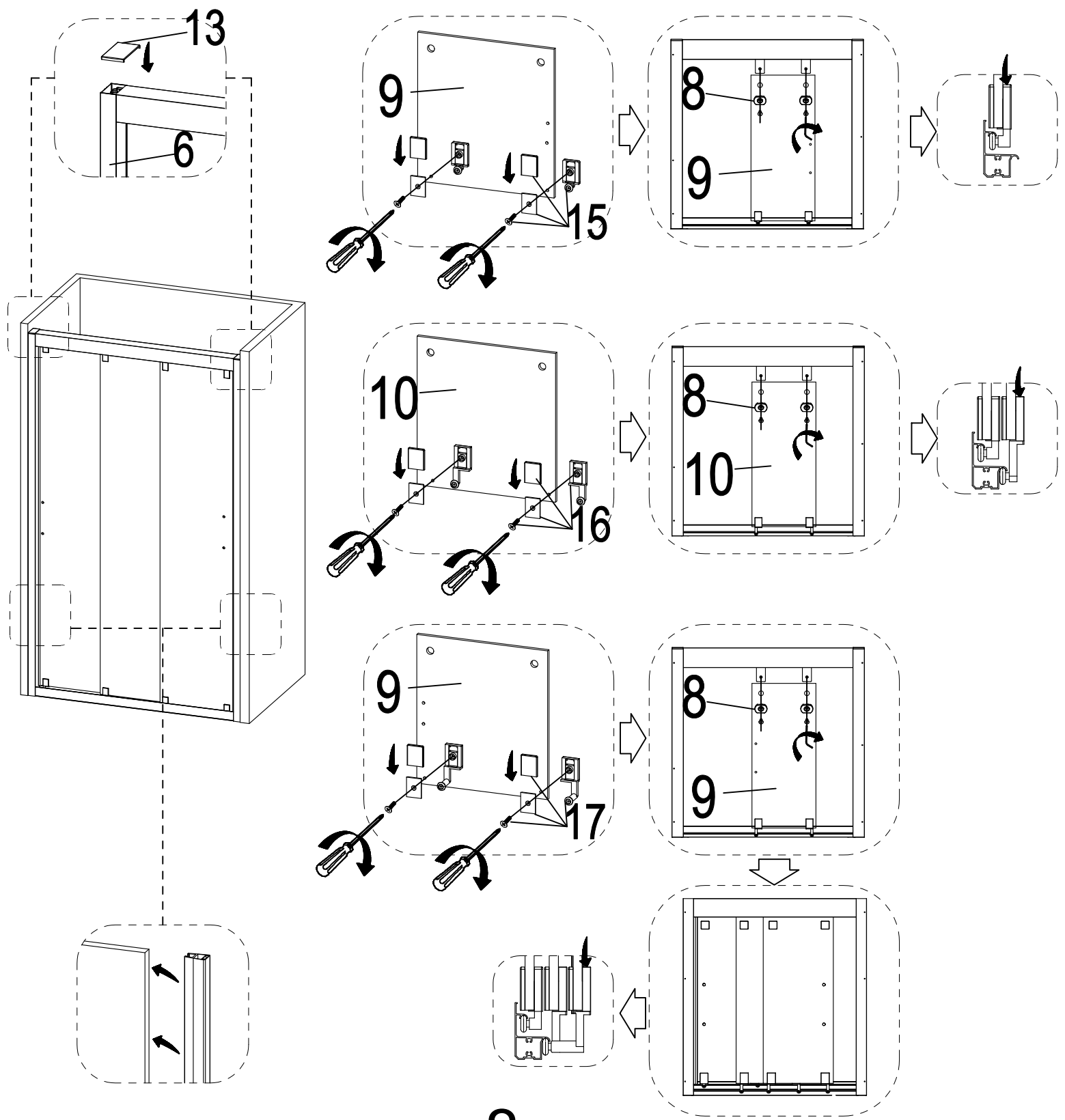
X3



4 mm



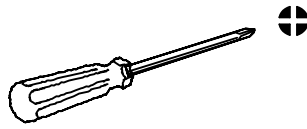
- 9 X2
- 10 X1
- 11 X2
- 13 X2
- 15 X2
- 16 X1
- 17 X1







4 mm



12



X2

14



X4

