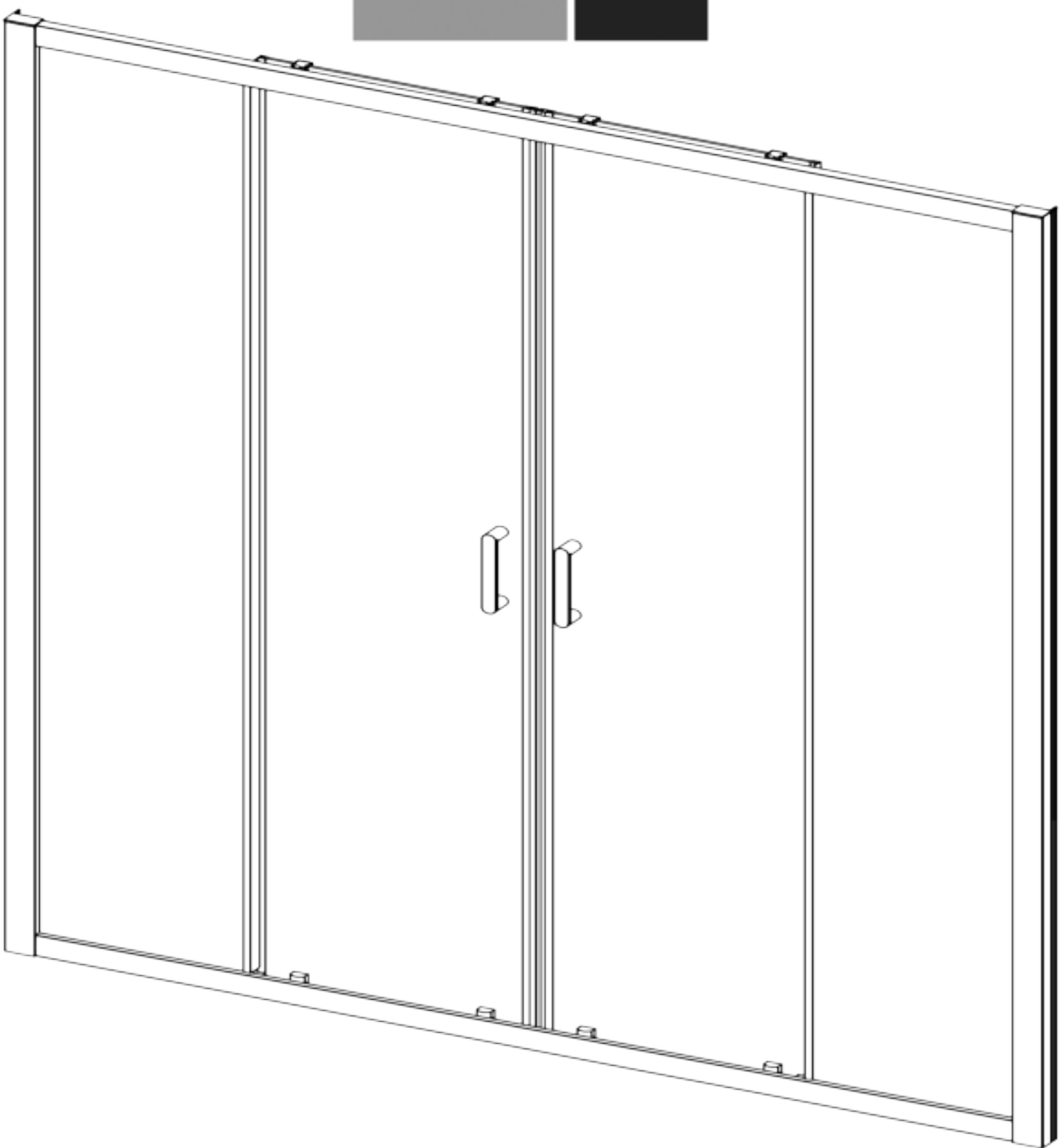
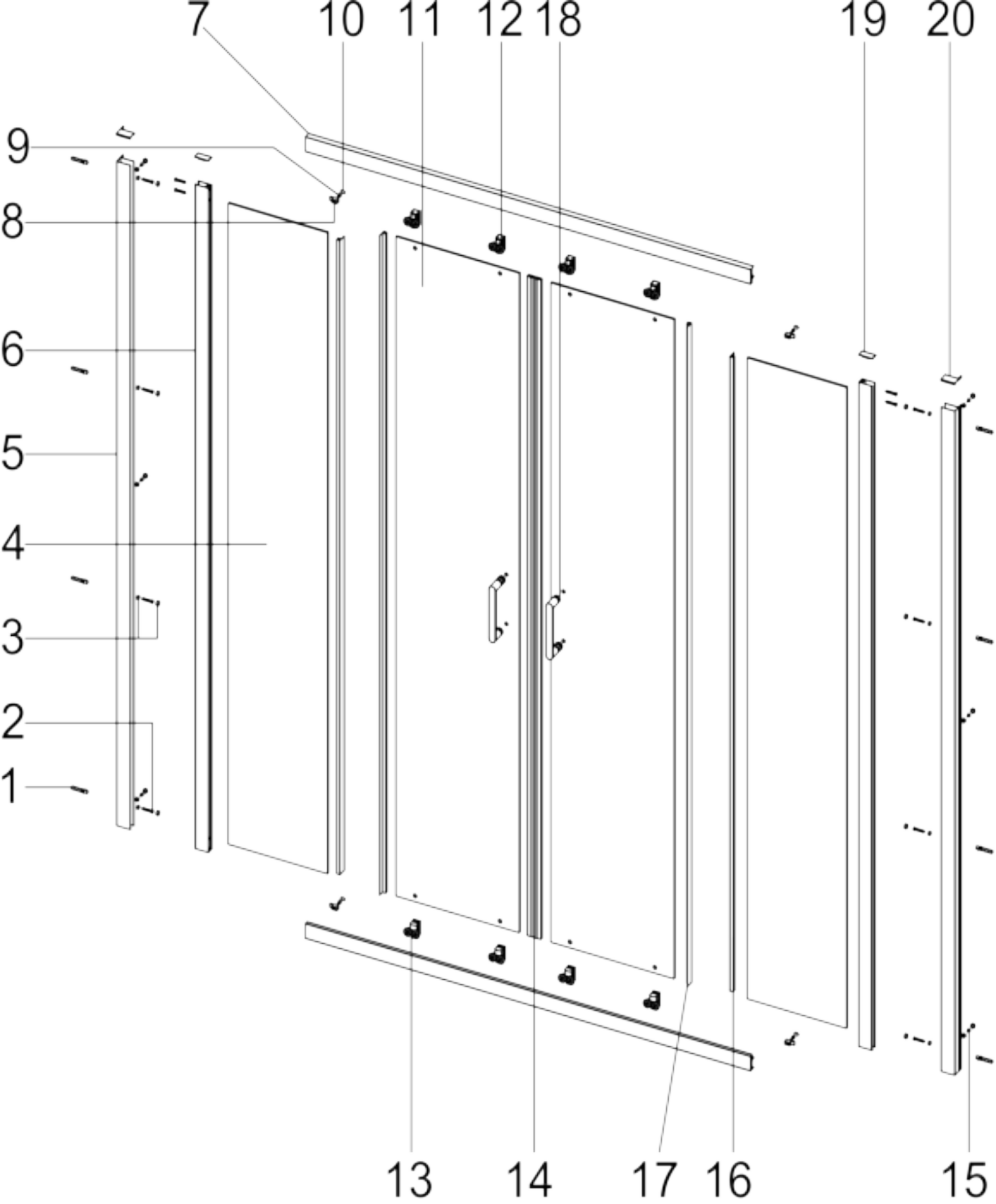
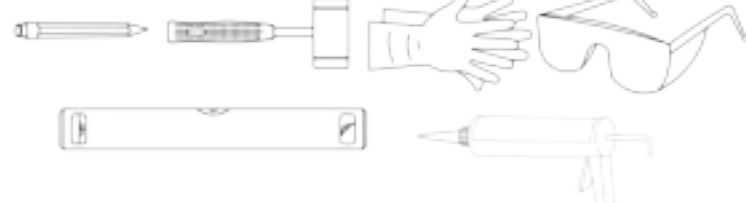
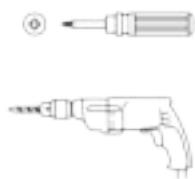
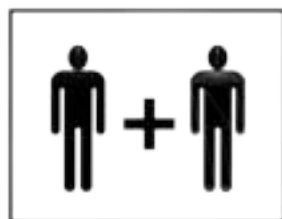


GRUPO  
**SGC**







X8



ST3.9X35

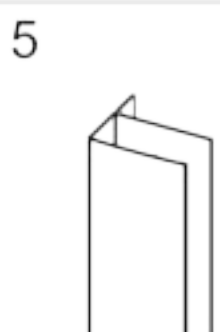
X16



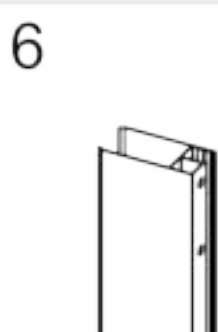
X14



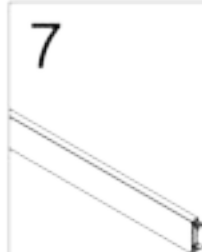
X2



X2



X2



X2



X4



ST3.9X13

X4



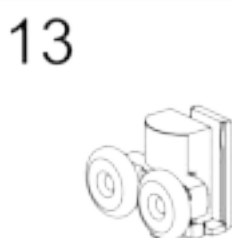
X4



X2



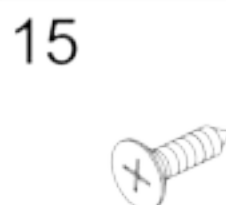
X4



X4



X1



ST3.5X10

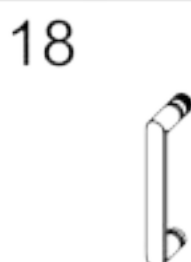
X6



X2



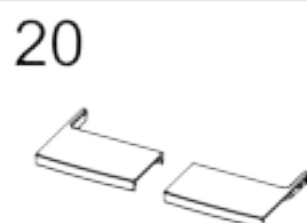
X2



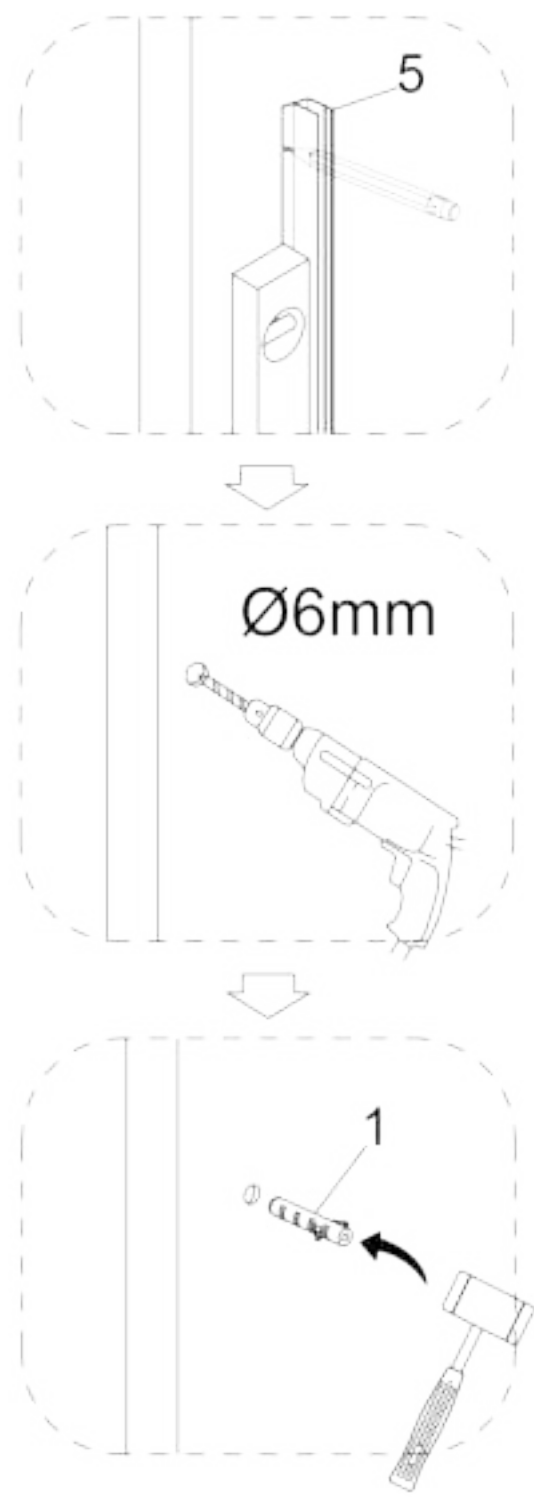
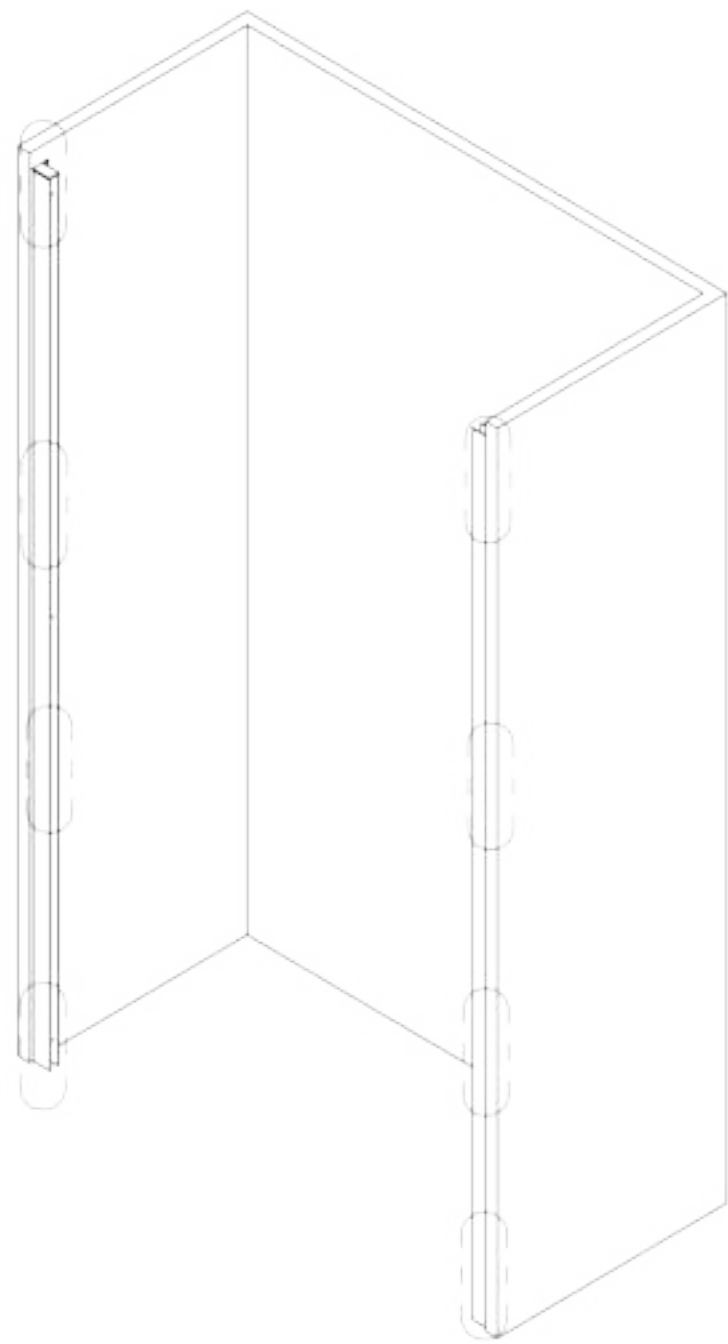
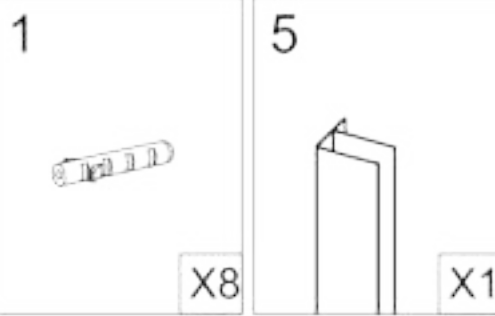
X2



X2



X1





2

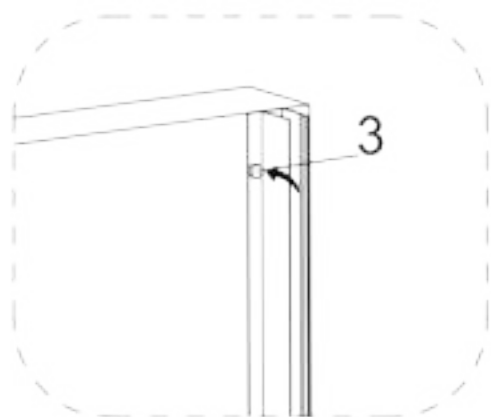
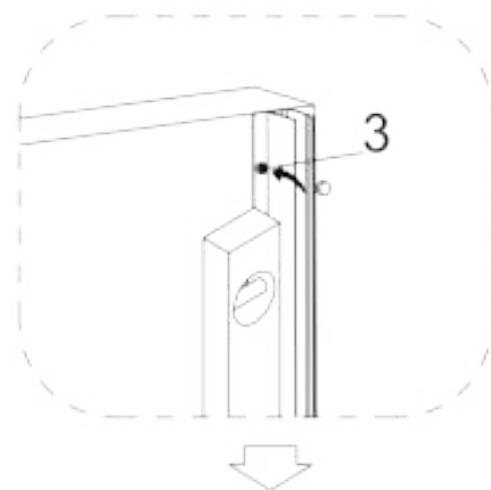
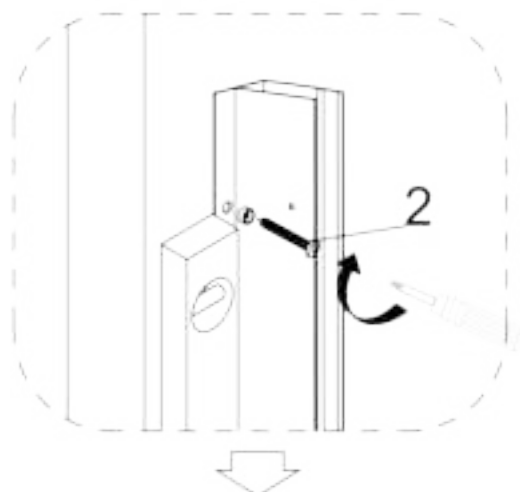
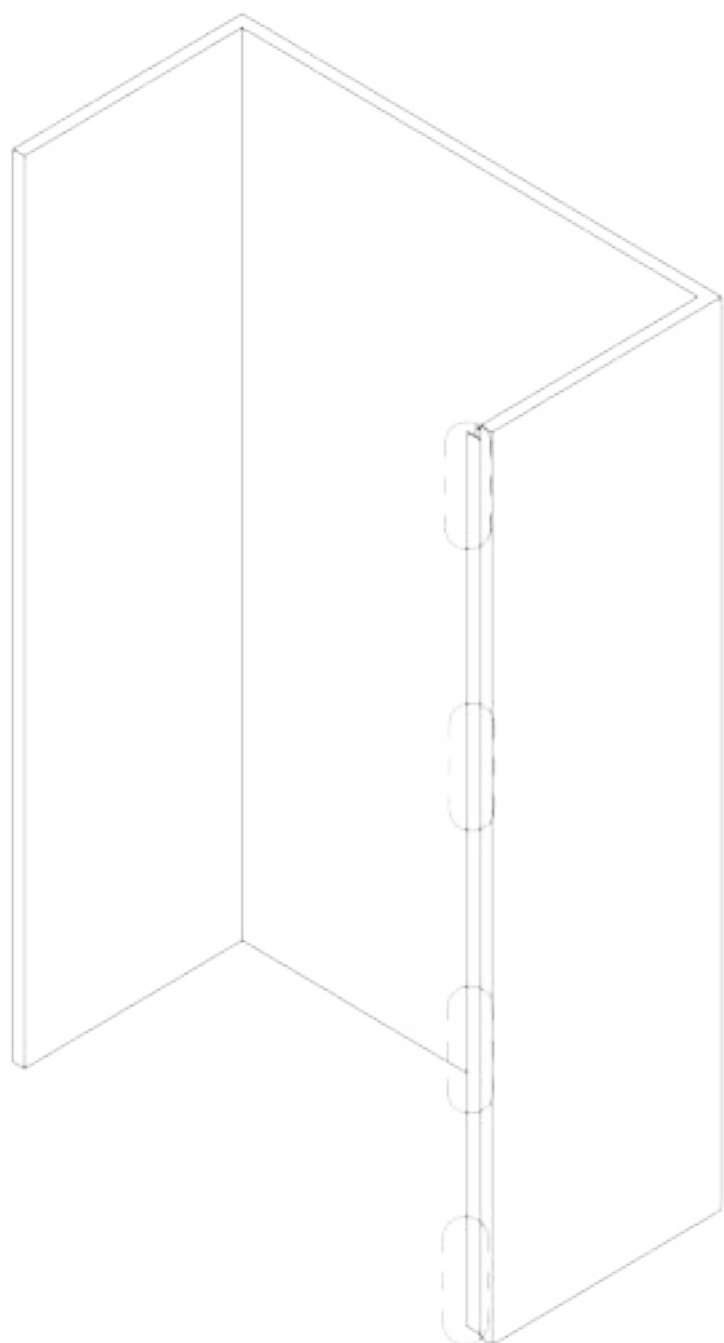


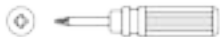
3



ST3.9X35 X4

X4

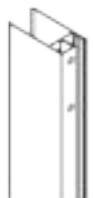




2



6



7



ST3.9X35

X8

X2

X2

6

7

2

7

6

2

2

7

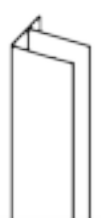
6

7

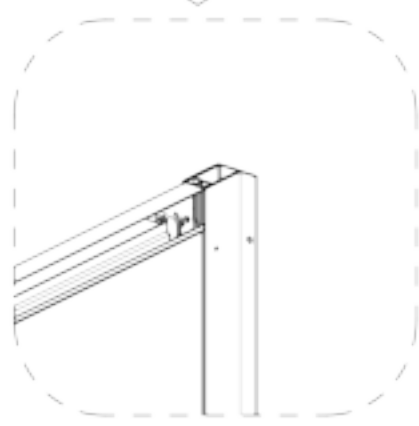
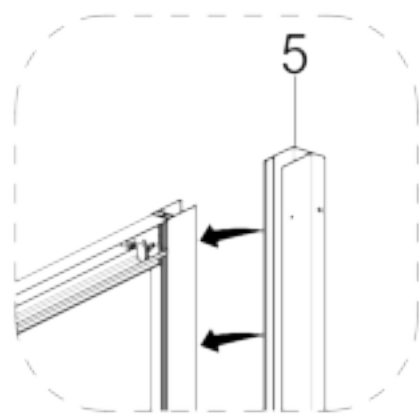
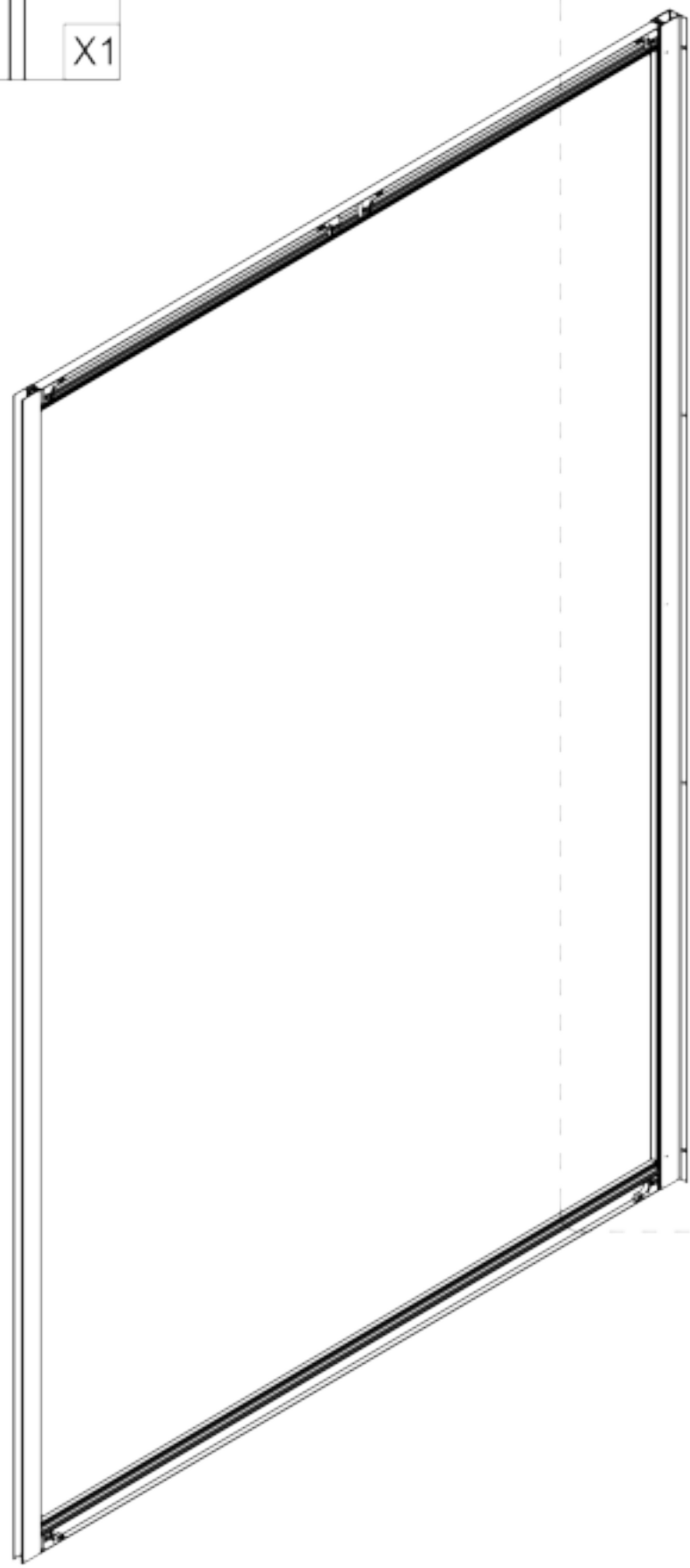
6

2

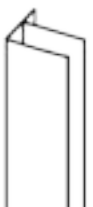
5



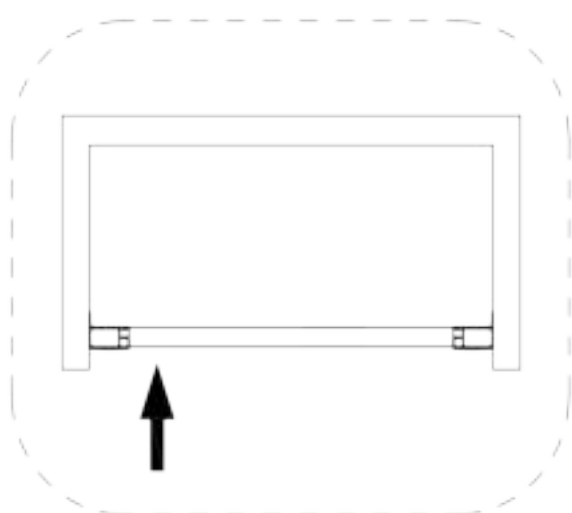
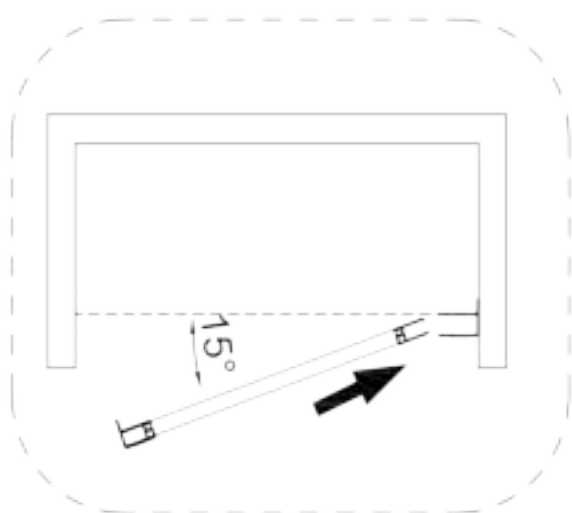
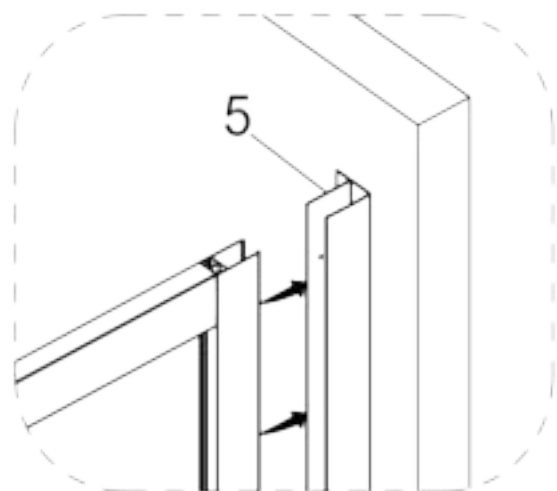
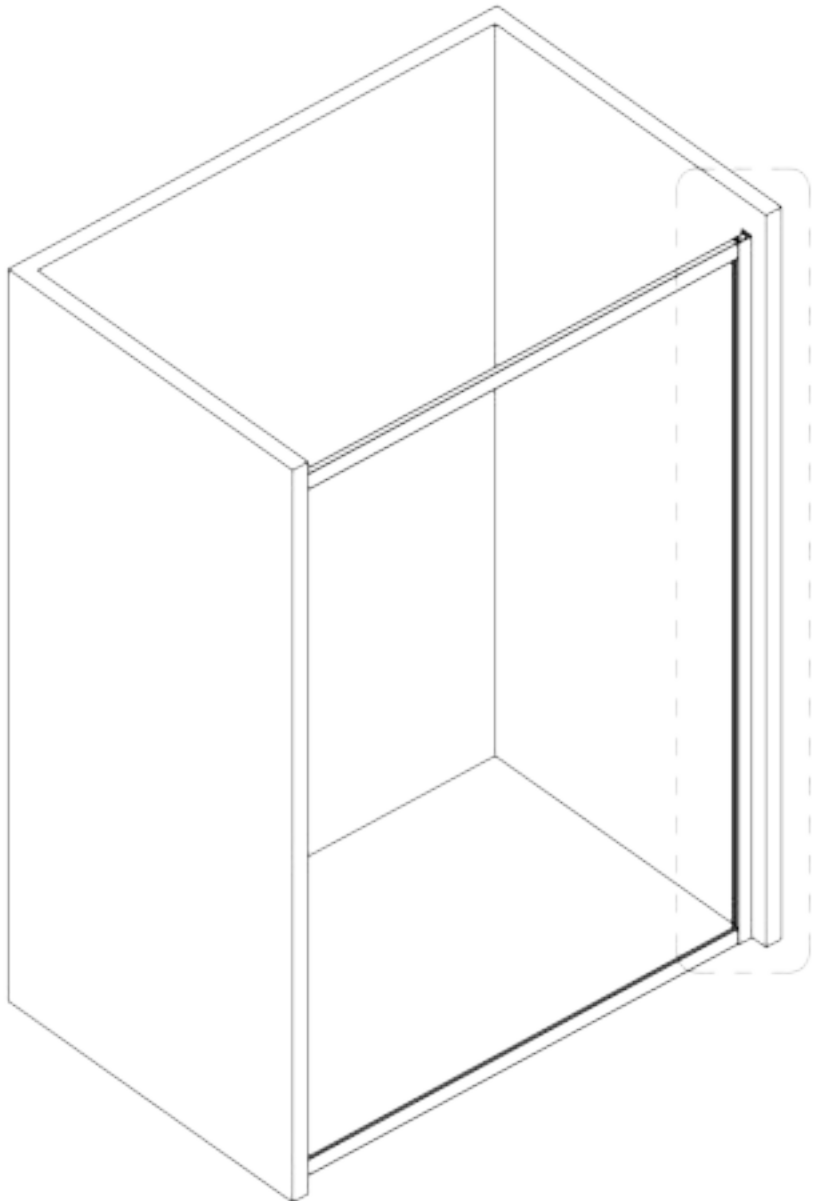
X1



5



X1







2

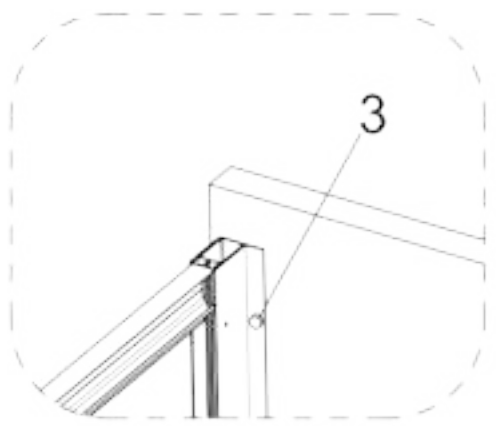
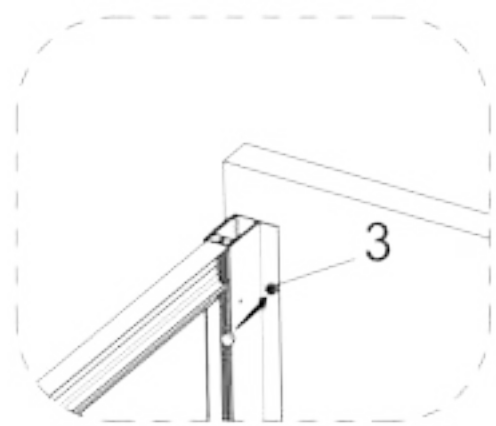
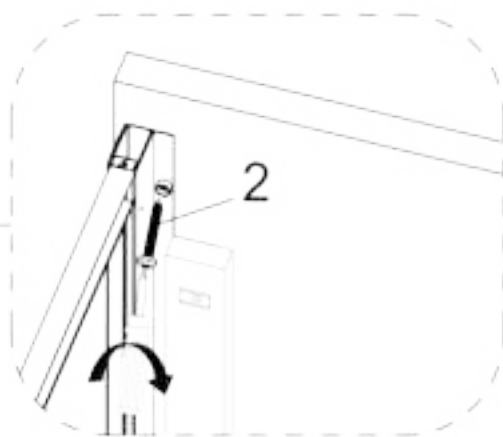
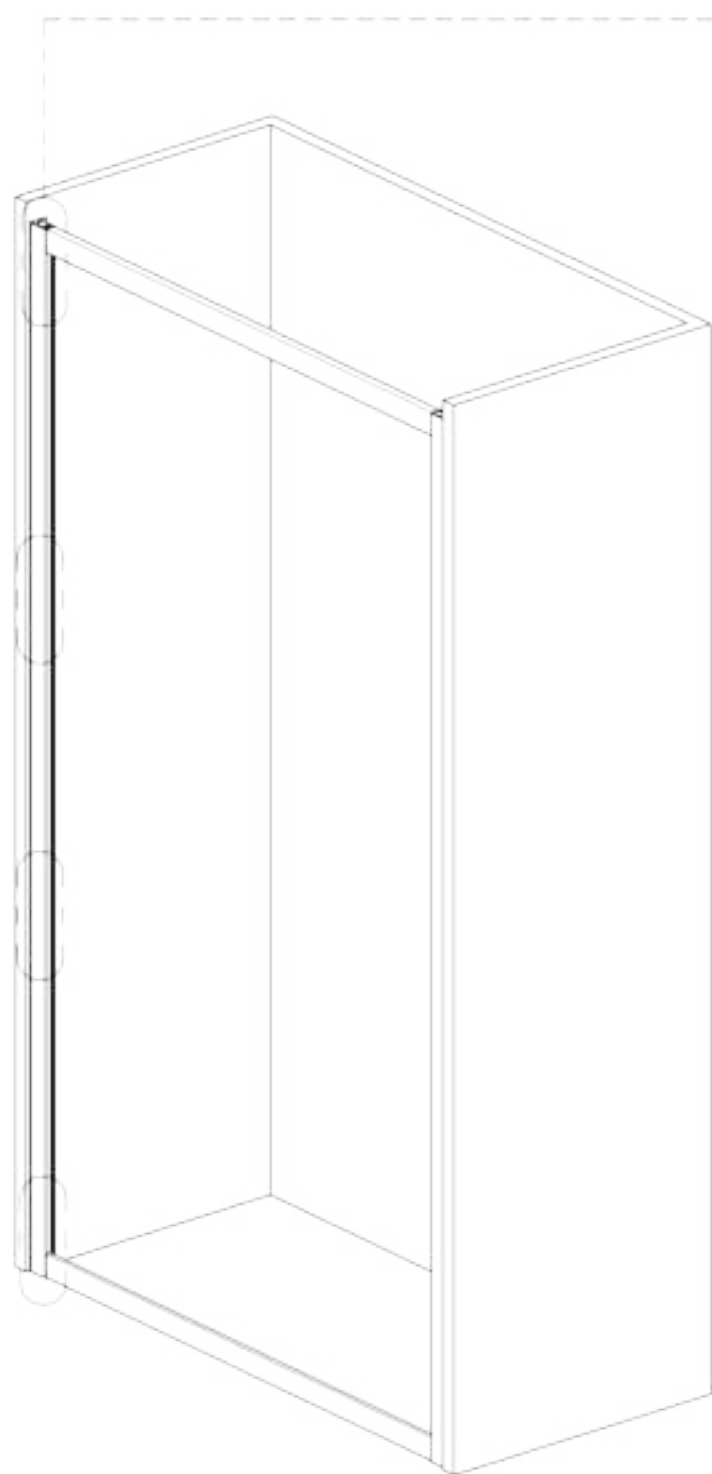


3


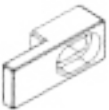




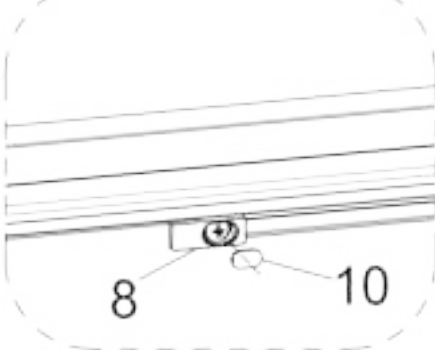
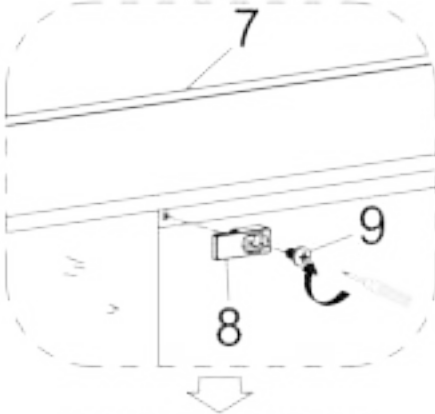
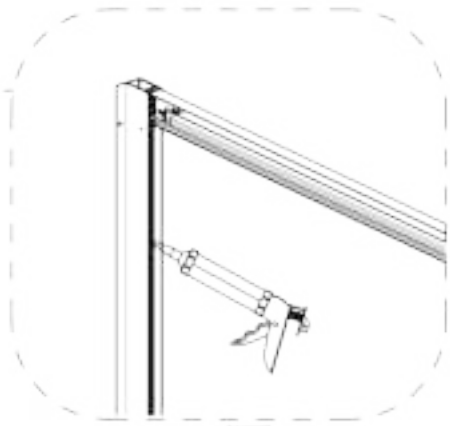
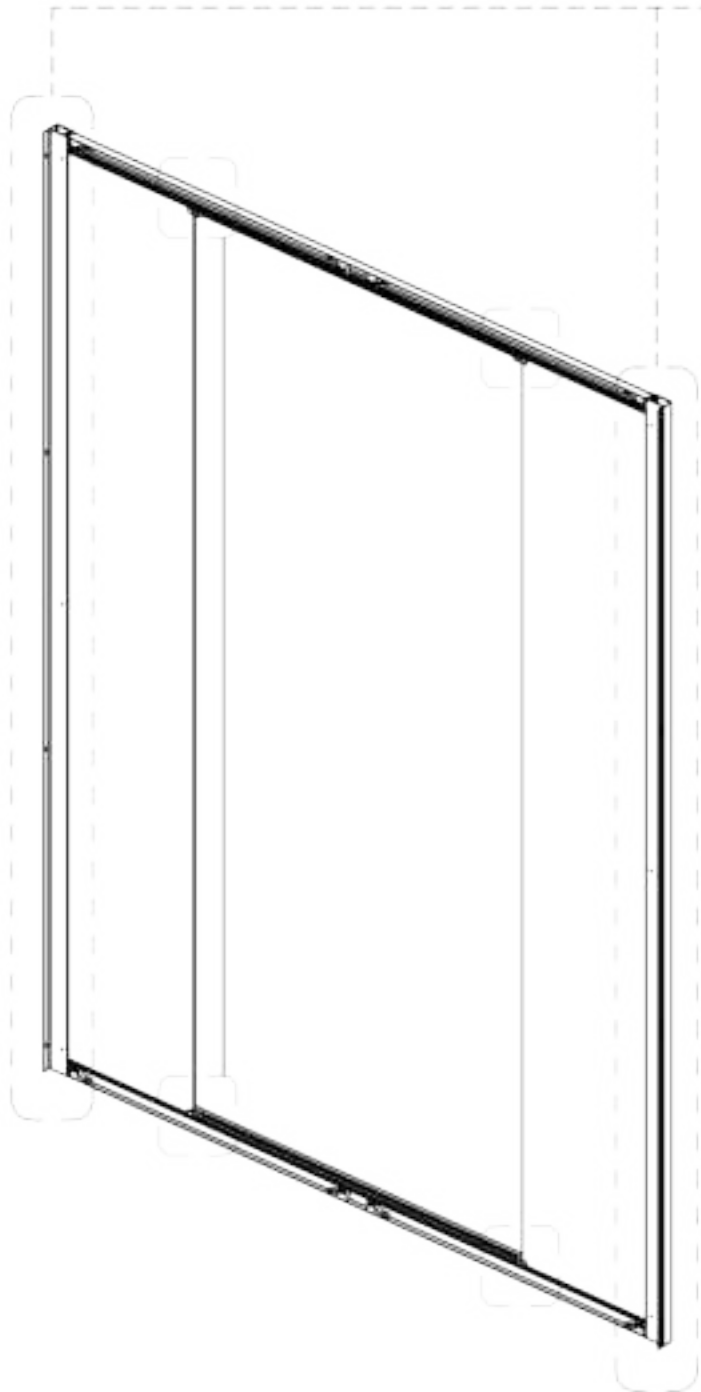
ST3.9X35 X4

X4





4  X2	8  X4	9  X4	10  ST3.9X13 X4
---	--	--	--





11



X2

12



X4

13

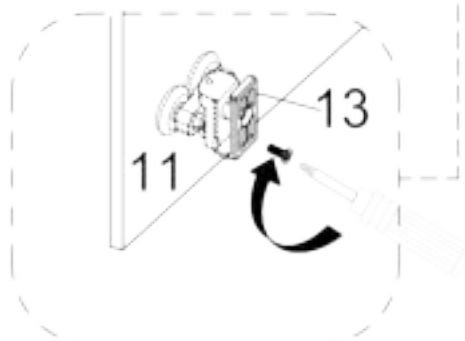
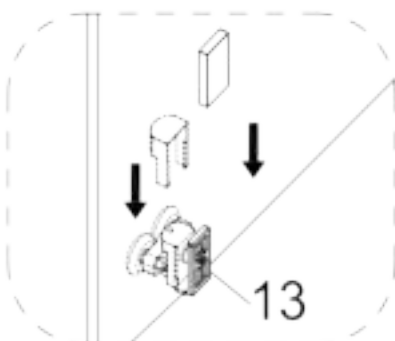
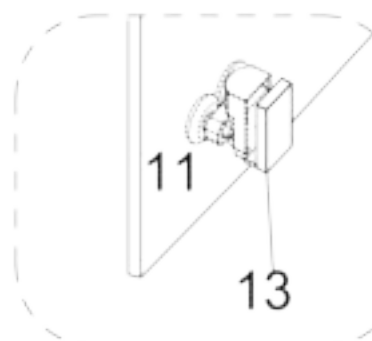
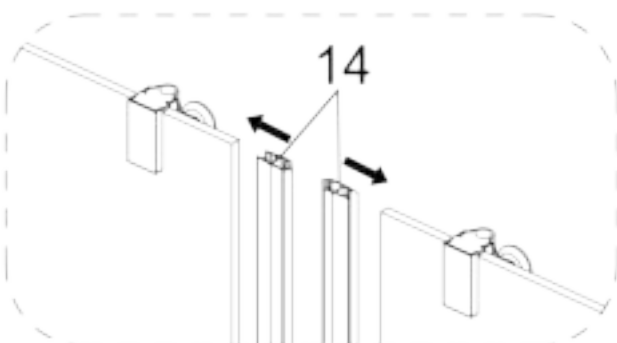
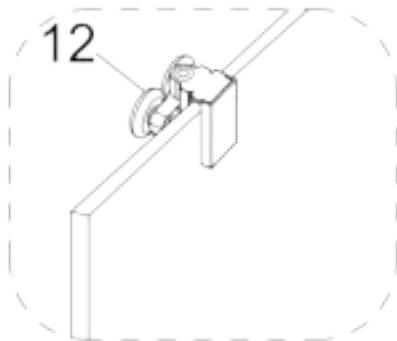
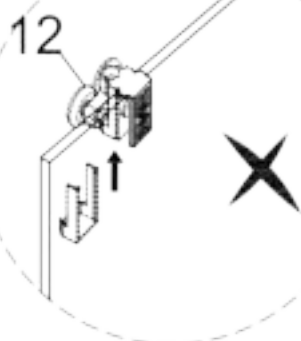
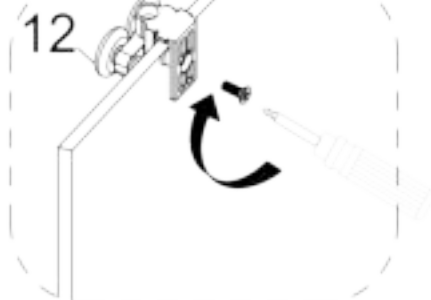
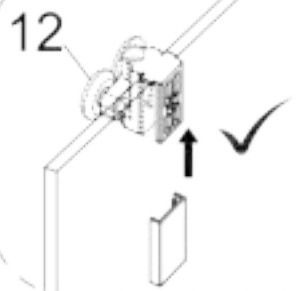


X4

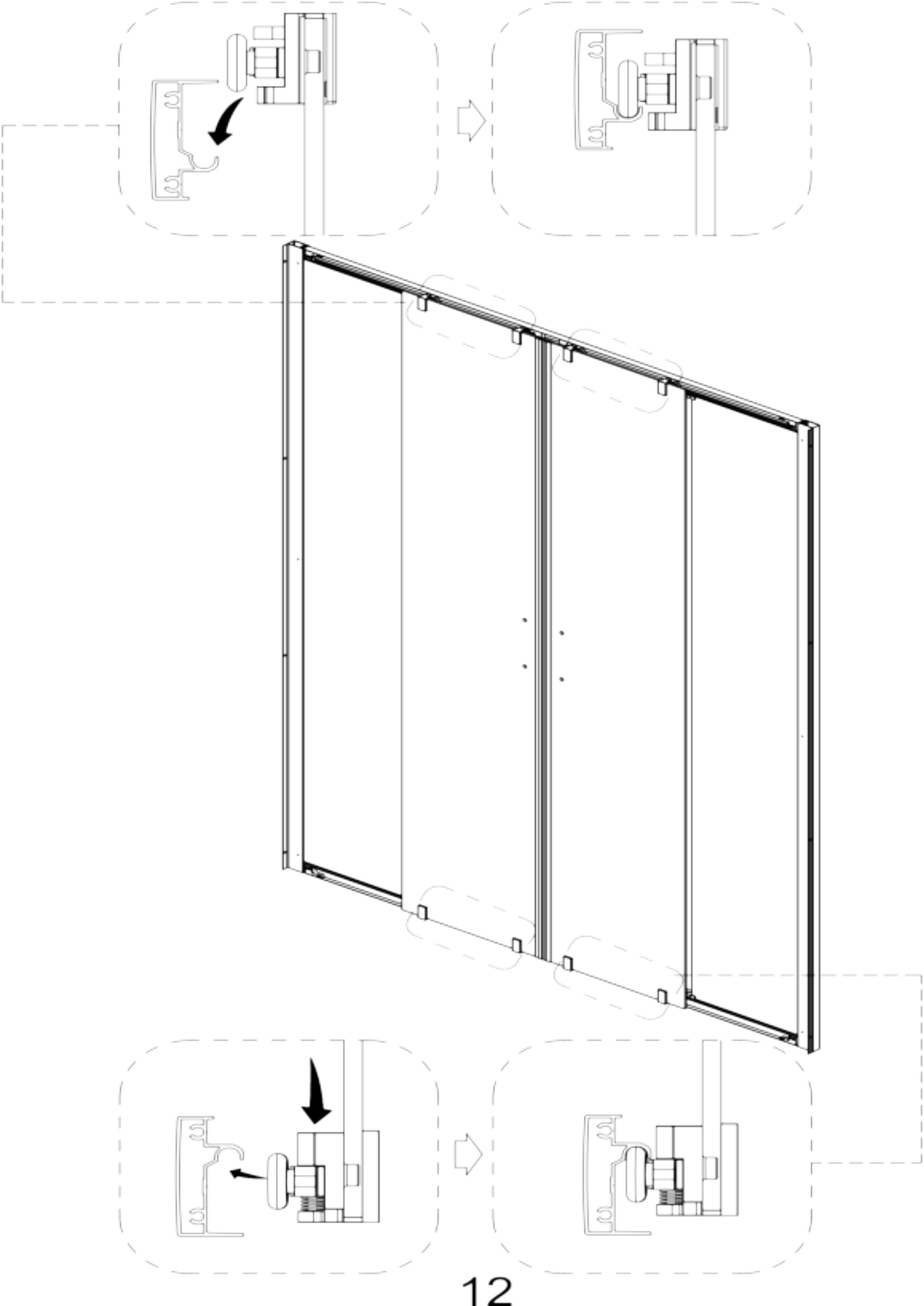
14



X1



11

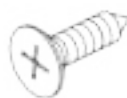




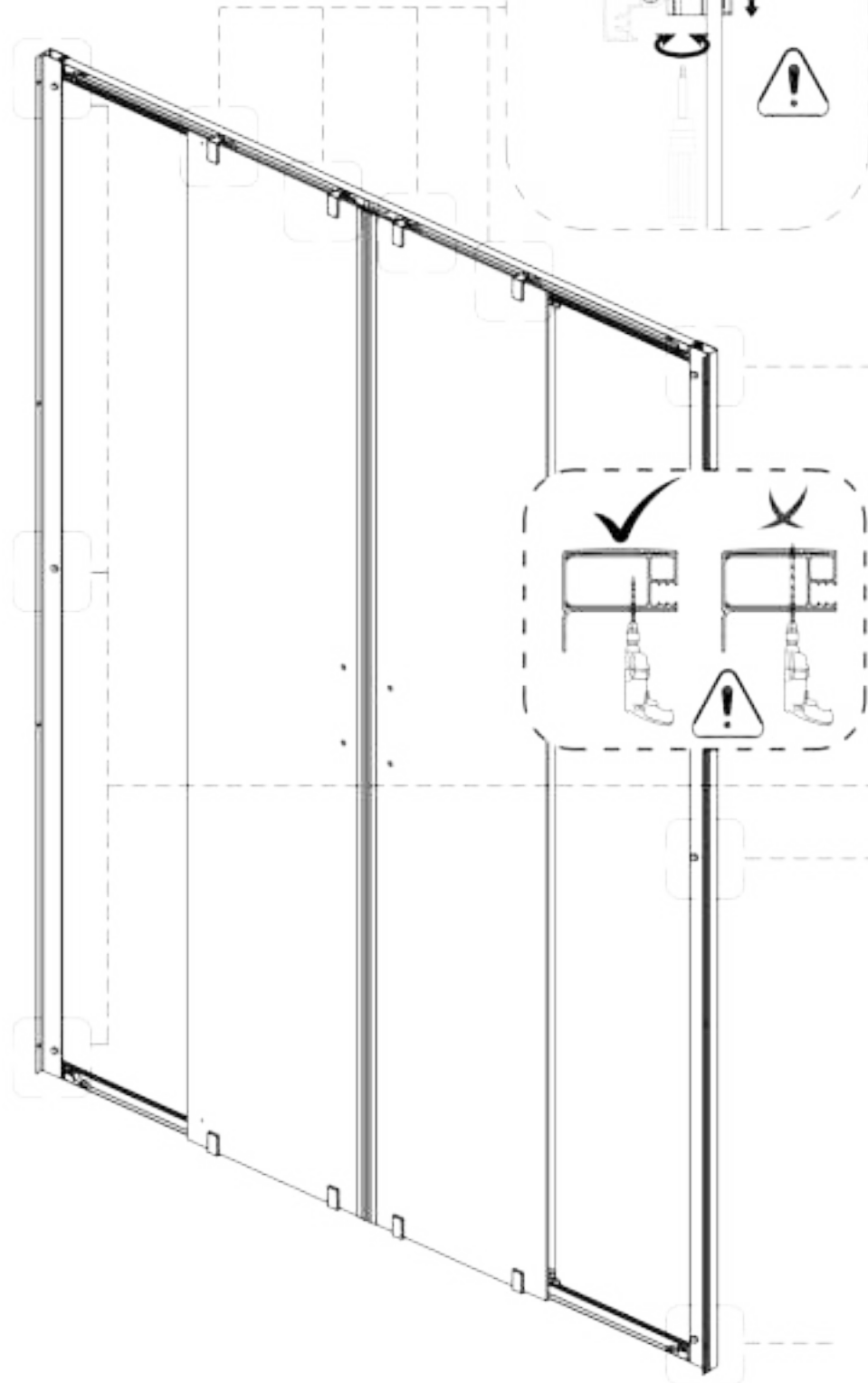
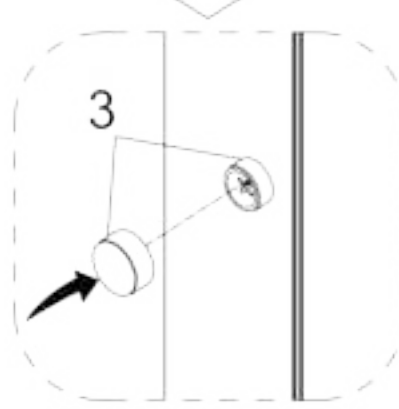
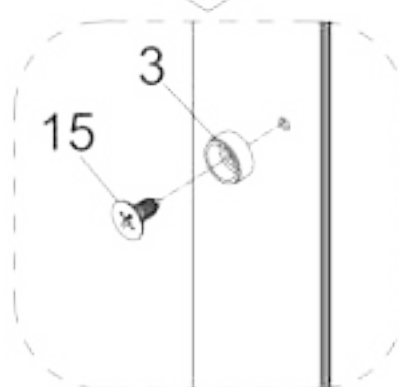
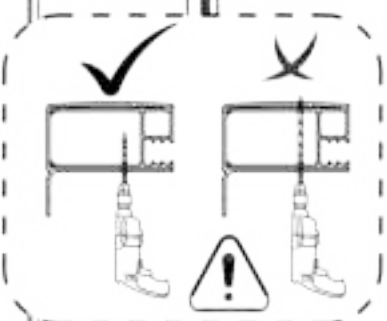
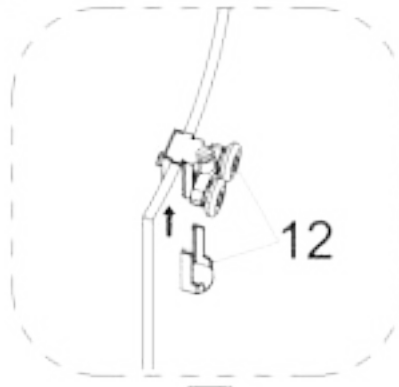
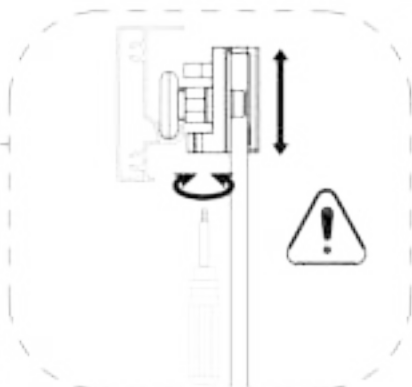
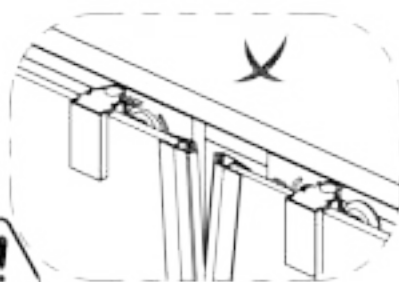
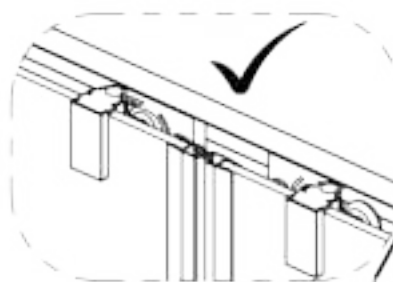
Ø2.8mm

3

15



X6 ST3.5X10 X6



13

16



X2

17

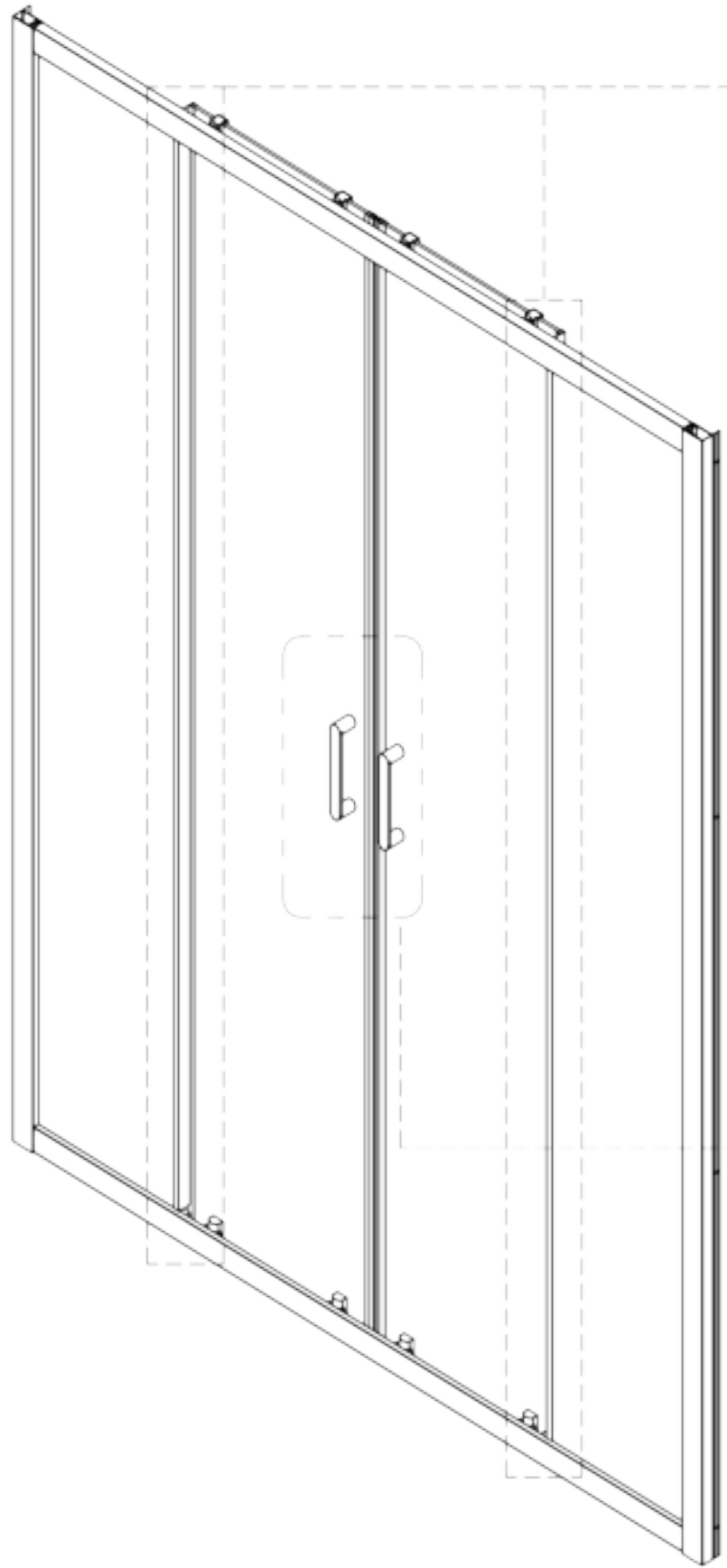


X2

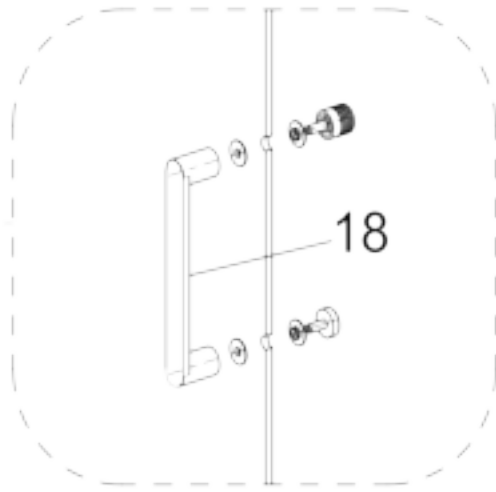
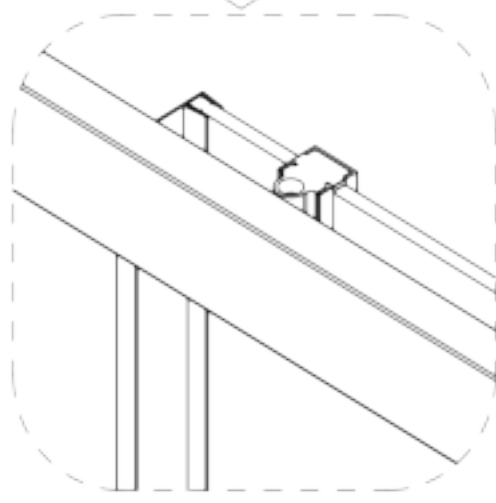
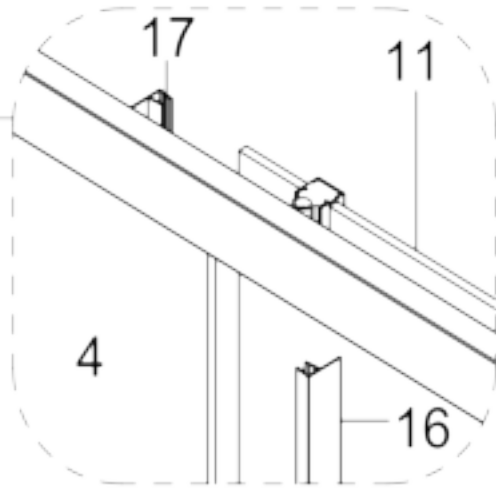
18



X2



14

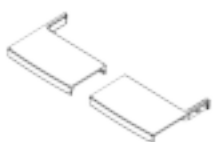


19



X2

20



X1

